

# MCM

# DY35 COMPACT LOADER

SPECIFICATION SHEET



Website: [www.MCMGroup.co.za](http://www.MCMGroup.co.za)



Instagram: [@mcm.company](https://www.instagram.com/mcm.company)



Facebook: [MCMGROUP](https://www.facebook.com/MCMGROUP)



## UT35 COMPACT LOADER

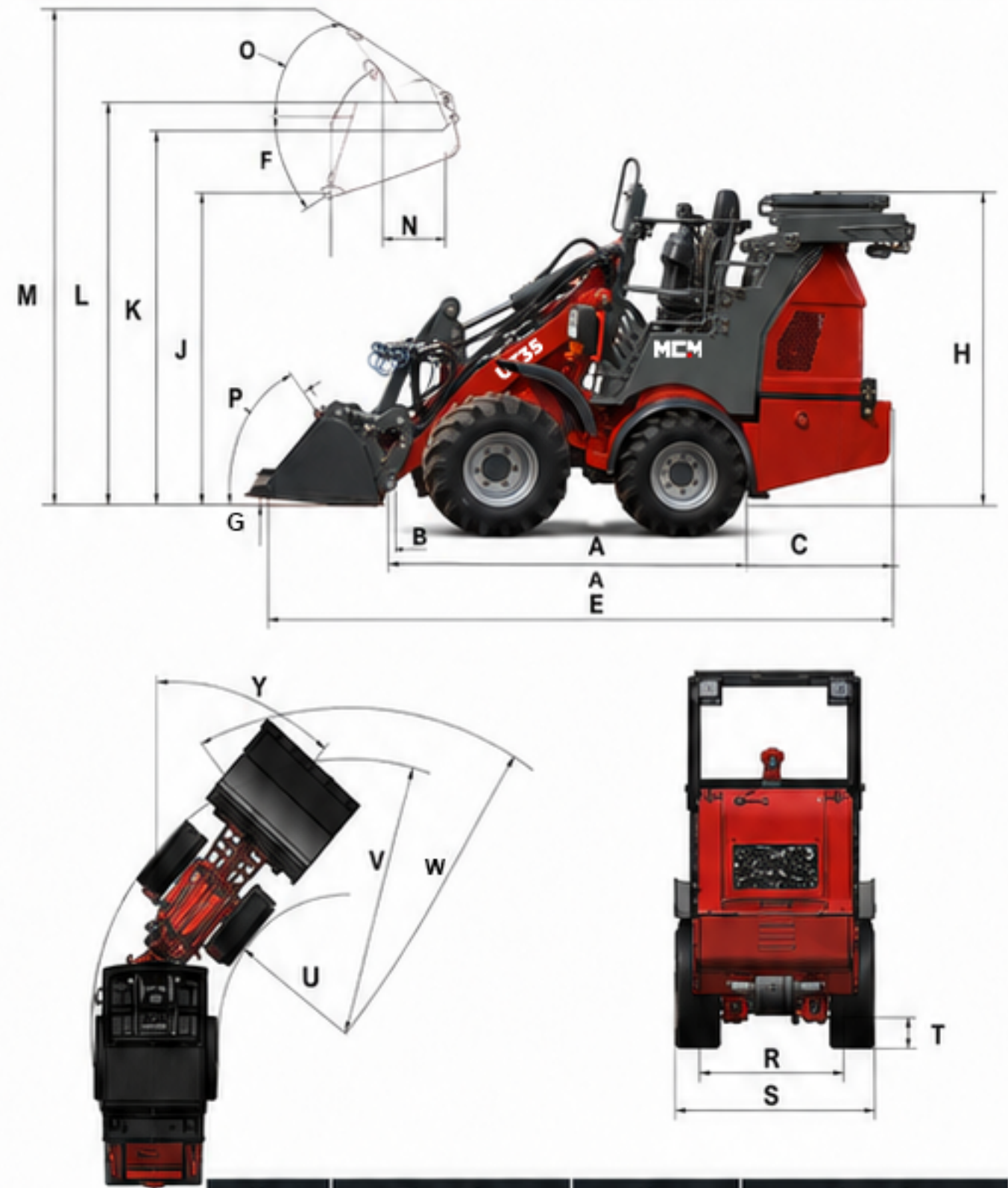
### TECHNICAL SPECIFICATIONS




#### SPECIFICATIONS

Data Field	Specifications
Overall Dimensions	4140*1360*2260mm
Operating weight	2250kgs
Max Travel speed	17km/h
Max. tipping load (buck/fork)	1158kgs/850kgs
Max loading height	3717mm
Max dumping height	2272mm
Wheelbase	1502mm
Wheel track	920mm
Turn Radius (Inside)	1106mm
Turn Radius (Outside)	2625mm
Bucket capacity	0.3-0.48cbm
Working system	32L/Min @ 19Mpa (190bar)
Tracking system	64L/Min @ 26Mpa (260bar)
Tyre Type (Tubeless)	31*15-5-15, 8PLY

#### DIMENSIONS



Key	Dimension	Key	Dimension
A	1502mm	N	501mm
B	627mm	O	53°
C	1065mm	P	25°
D	3320mm	Q	59°
E	4139mm	R	920mm
G	20mm	S	1360mm
H	2230mm	T	202mm
J	2272mm	U	1106mm
K	2726mm	V	2206mm
L	2931mm	W	2625mm
M	3717mm	Y	45°

 Website: [www.MCMGroup.co.za](http://www.MCMGroup.co.za)

#### Cape Town

9 Karee Rd, Kraaifontein Industria,  
Cape Town 7570

#### Sales

+27 21 001 8686

 [ruan@mcmco.co.za](mailto:ruan@mcmco.co.za)

#### George

Jura Lands, Beach Road,  
Hansmoeskraal, George 6529

#### Sales

+27 44 878 2917

 [chris@mcmco.co.za](mailto:chris@mcmco.co.za)

#### Bloemfontein

Bloem Showgrounds, Curie Avenue,  
Generaal De Wet, Bloemfontein 930

#### Sales

+27 84 022 7300

 [clarence@mcmco.co.za](mailto:clarence@mcmco.co.za)

#### Midrand

26 Sterling Rd, Unit 1,  
Samrand Business Park,  
Midrand 0117

#### Sales

+27 12 030 3451

 [jacques@mcmco.co.za](mailto:jacques@mcmco.co.za)