

MCM SC50

Spider Crane

5T Compact Lifting Power



MCM



www.MCMGROUP.co.za



[mcm.company](https://www.instagram.com/mcm.company)



[MCM GROUP](https://www.facebook.com/MCMGROUP)

MCM SC50

5T Spider Crane Specifications

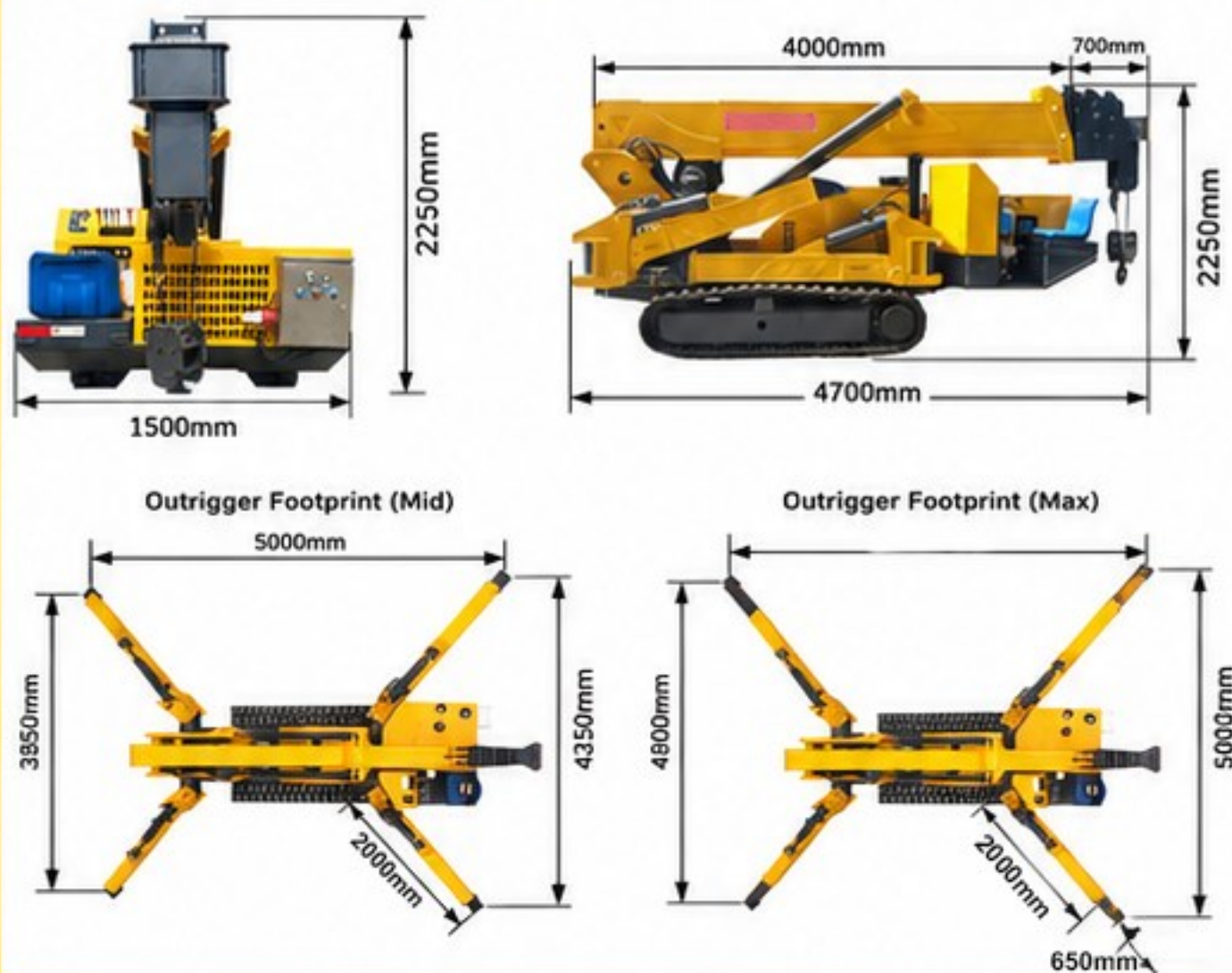


SPECIFICATIONS

dead-weight (T)	6.7T	Specifications	5T		
Maximum operating radius	15m	Maximum ground lift	17m		
Winch device	Hook lifting speed	12m/min (4-rope) two-speed	engine		
	Specification of steel wire rope	Φ 11mm*60m			
Telescopic device	Boom form	4m X 5-section lifting arm (Support customization)		Manufacturer	yuchai (Support customization) 58kw
	Boom length/time	4.5m-17m/54sec (adjustable)		model number	490CC
Luffing device	Boom angle/time	0-78°/13sec		start mode	Electric start
gyroscope	Rotation angle/speed	0-360° (continuous)/38sec		start performance	-50°C-45°C
Outrigger	Outrigger movement form	Manual screw-out + cylinder support (two-section leg)	Fuel/Volume	Diesel oil/35L	
	Maximum extension amplitude (mm)	5800 (length) X4900 (rear) X5600 (front)	Battery capacity	24v 45AH	
running gear	Walking mode	Hydraulic drive (high and low speed)	Operation type (boom/leg), manual walking	Manual operation, manual walking (Optional remote control)	
	Walking speed	0-2.5km/h	Operational Characteristics	Manual operation/Optional remote control	
	Gradeability	25°(36%)	Emission standard	National Phase II	
		Vehicle Size	4.7meters length, 1.5meters width, and 2.25 meters height		
		Track (mm)	300 (width) 52.5 (pitch) 90 (section)		

Optional Optional torque controller/remote control/cradle/hydraulic flying jib/colors: red, green, yellow, white, grey, black

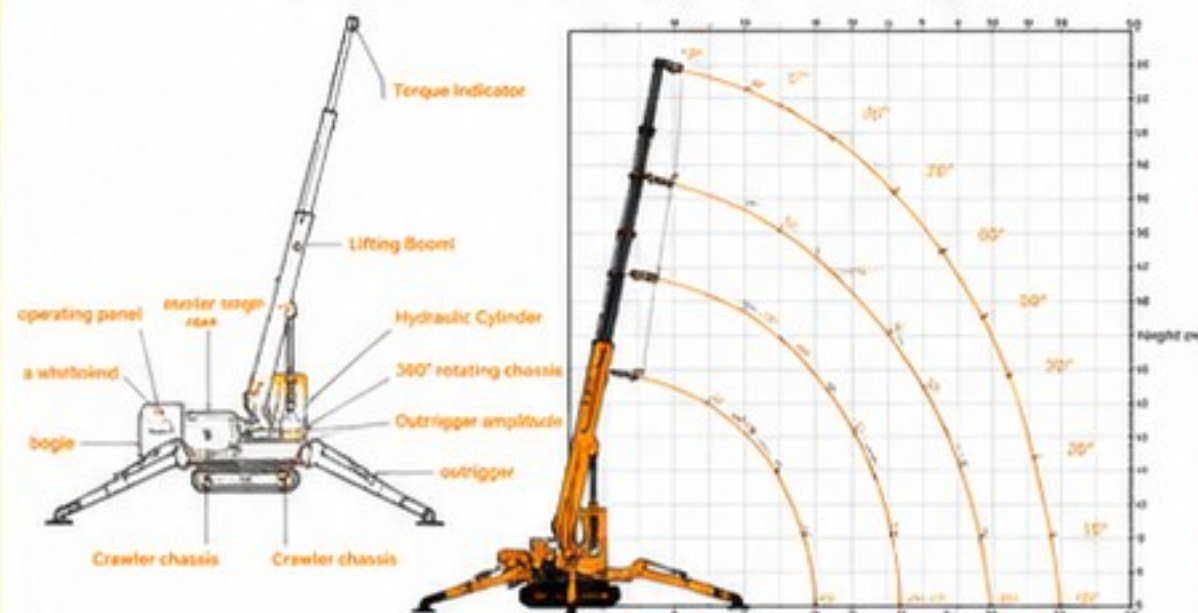
DIMENSIONS



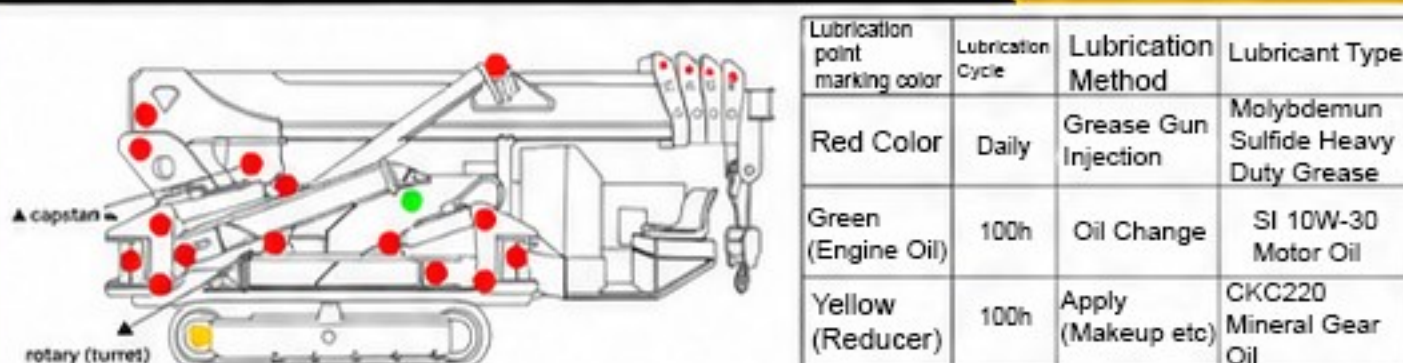
FEATURES & OPTIONS



5 TON SPIDER CRANE LIFTING WEIGHT CHART



5T SPIDER CRANE LUBRICATION PARTS DIAGRAM



Note: Turntables and jibs must be maintained regularly (20 days as a cycle)*Whenever the jibs are out, grease the jibs.*
This product is strictly prohibited from being exposed to rain.

KEY FEATURES

- ✓ The boom is made of high-strength manganese steel for better lifting capacity.
- ✓ The body of the machine is compact and takes up little space. Wide range of application.
- ✓ Safe design prevents incorrect operation
- ✓ Remote control can be added for easy operation

- 📍 **FREE STATE** — Bloem Showgrounds, Curie Avenue, Generaal De Wet, Bloemfontein, 9301 | SALES (+27) 84 022 7300 | clarence@mcmco.co.za
- 📍 **GAUTENG** — 26 Sterling Rd, Unit 1, Samrand Business Park, Midrand, 0117 | SALES (+27) 12 030 3451 | sales@mcmco.co.za



www.MCMGROUP.co.za

- 📍 **CAPE TOWN** — 9 Karee Rd, Kraaifontein Industria, Cape Town, 7570 | SALES (+27) 21 001 8686 | ruan@mcmco.co.za
- 📍 **GEORGE** — Jura Lands, Beach Road, Hansmoeskraal, George, 6529 | SALES (+27) 44 878 2917 | chris@mcmco.co.za