

# HZM SK1300

## Skid Steer Loader

Power. Precision. Productivity.



Modern  
Digital Display



Quick  
Attachment  
Capability



Premium  
Hydraulic Control



**One Machine.  
Endless Possibilities.**



PROUDLY DISTRIBUTED BY



# HZM SK1300

## SKID STEER LOADER



### 1. STANDARD CONFIGURATION

- Air conditioning
- Automatic leveling
- High flow rate
- Electro-proportional control attachments
- Multifunctional handle
- FASTER quick couplers with pressure release
- Emergency lowering function on the loader
- DA (Displacement) assistant adjustment switching

## TECHNICAL SPECIFICATIONS



### 2. DIMENSIONAL PARAMETERS

A	Max. Operation Height	4010mm
B	Cab Roof Height	2050mm
C	Departure Angle	25°
D	Ground Clearance	197.5mm
E	Wheelbase	1317mm
F	Overall Length (without attachments)	2995mm
G	Overall Length (with standard bucket)	3820mm
H	Bucket Ground Level Angle	30°
I	Dump Height	2530mm
J	Lift Height (at pin)	3235mm
K	Dump Reach	980mm
L	Dump Angle	40°
M	Bucket Rotation Angle at Max Height	100°
N	Overall Width (with standard bucket)	2003mm
O	Turning Radius	1370mm
P	Track Width (without bucket)	1500mm



### 3. TECHNICAL PARAMETERS

	Rated Load	1300
	Tipping Load	2600
	Bucket Capacity	0.6
	Operating Weight	3680
	Maximum Breakout Force	30
	Maximum Traction Force	32
	Diesel Tank	58L
	Hydraulic Tank	53L + 35L
	Tires	12/16.5



### 4. ENGINE

Brand and Model	4G33TC / CHANGCHAI
Type	Inline Four-Cylinder Turbocharged
Maximum Torque	317.4N/m/1820r
Engine Rated Power	70KW
Engine Rated Speed	2600/min



### 5. HYDRAULIC SYSTEM

Brand	PWG (Italy)
Standard Auxiliary Flow	93.6 liters/min
High Auxiliary Flow	158.6 liters/min
Hydraulic Pressure	21Mpa
Sum of three terms	10s

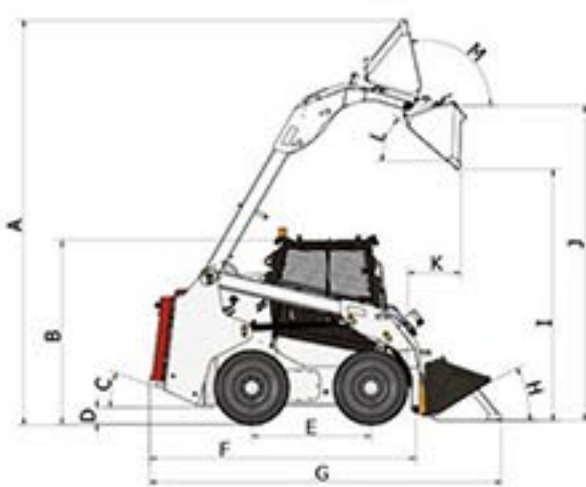


### 6. TRAVEL SYSTEM

Brand	PWG (Italy)
Max. Travel Speed (low range-standard)	14km/h
Max. Torque	2290Nm



### DIMENSIONAL DIAGRAMS



#### CAPE TOWN

9 Karee Rd, Kraaifontein Industria, Cape Town, 7570

#### SALES

(+27) 21 001 8686

✉ ruan@mcmco.co.za



#### GEORGE

Jura Lands, Beach Road, Hansmoeskraal, George, 6529

#### SALES

(+27) 44 878 2917

✉ chris@mcmco.co.za



#### FREE STATE

Bloem Showgrounds, Curie Avenue, Generaal De Wet, Bloemfontein, 9301

#### SALES

(+27) 84 022 7300

✉ clarence@mcmco.co.za



#### GAUTENG

26 Sterling Rd, Unit 1, Samrand Business Park, Midrand, 0117

#### SALES

(+27) 12 030 3451

✉ sales@mcmco.co.za



Website: [www.mcmgroup.co.za](http://www.mcmgroup.co.za)



Instagram: [@mcm.company](https://www.instagram.com/mcm.company)



Facebook: [MCM Group](https://www.facebook.com/MCMGroup)