

# MCM

# MCM SC40 SPIDER CRANE

Compact lifting power  
for confined spaces



**4 TON**  
LIFT CAPACITY



**COMPACT**  
FOOTPRINT



**MAXIMUM REACH**  
MAXIMUM VERSATILITY



# MCM

## MCM SC40

### SPIDER CRANE

#### 4 Ton Spider Crane

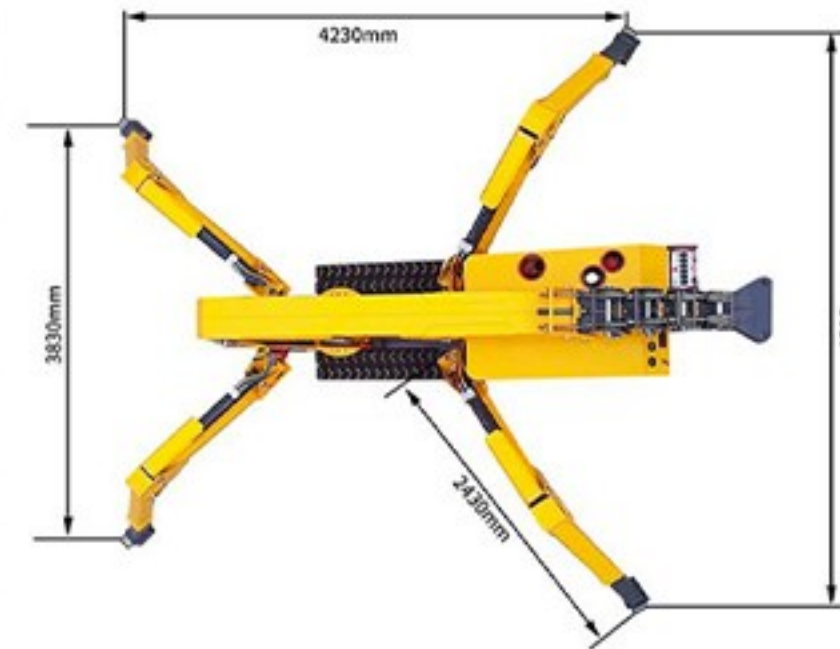
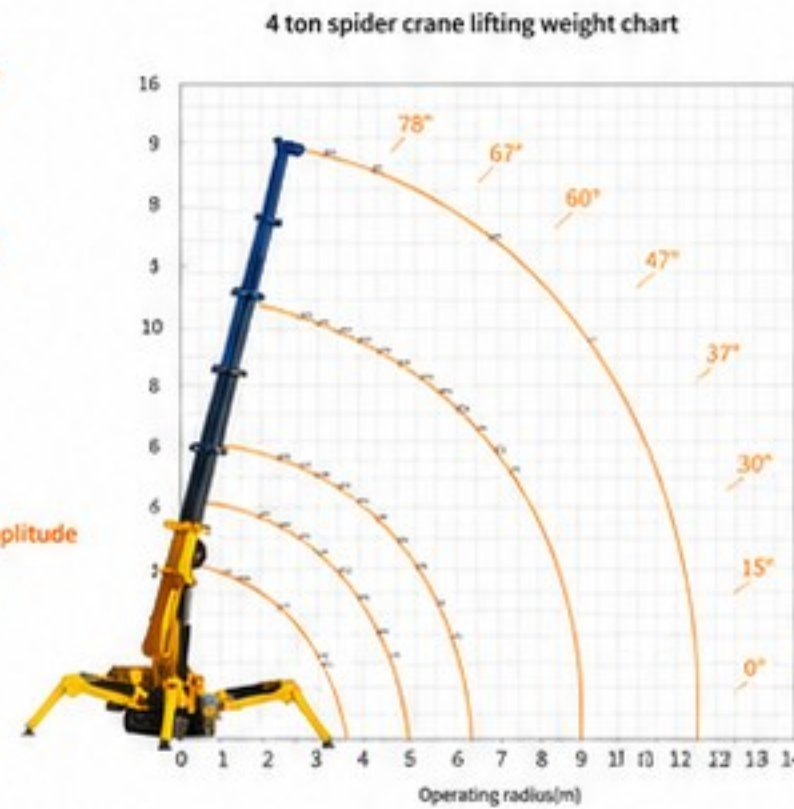
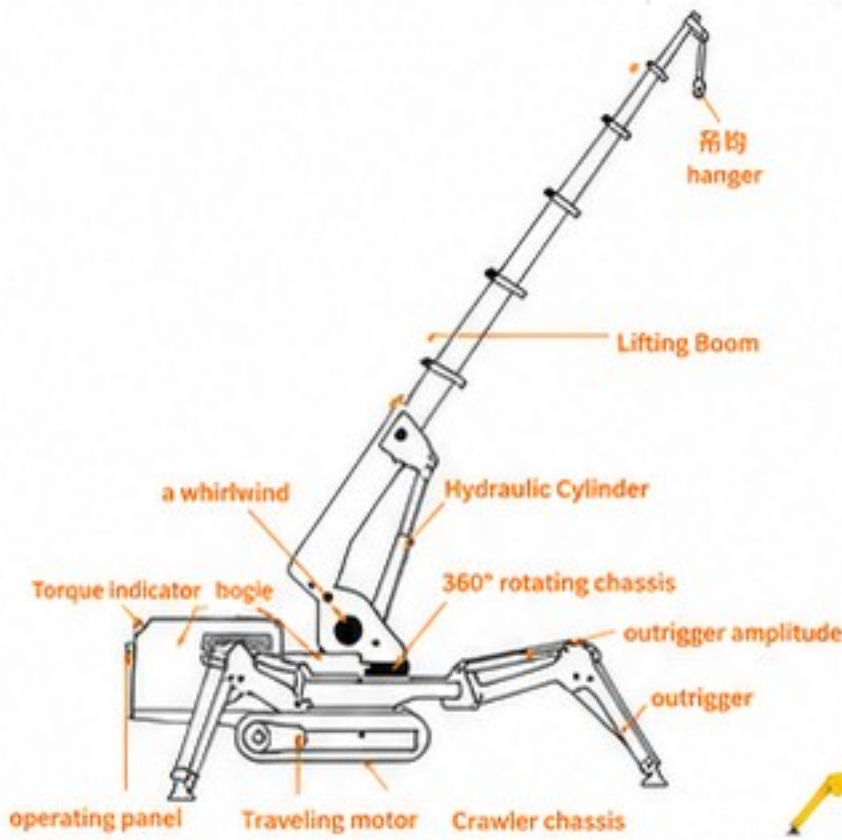
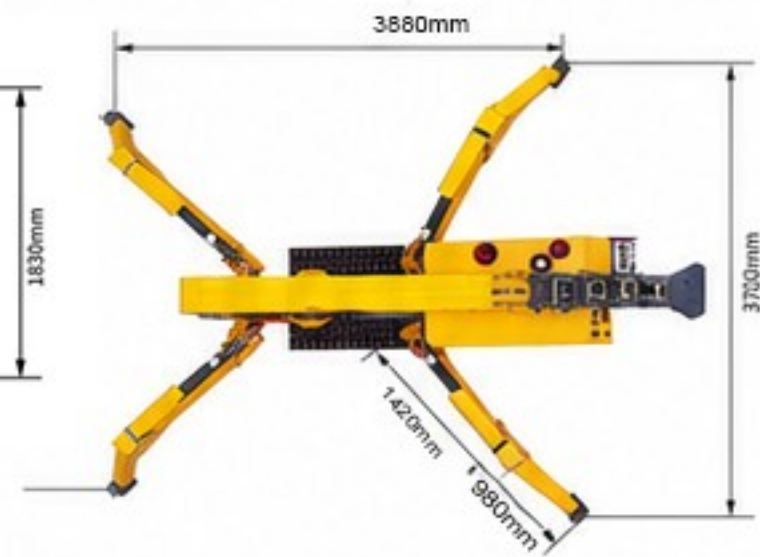
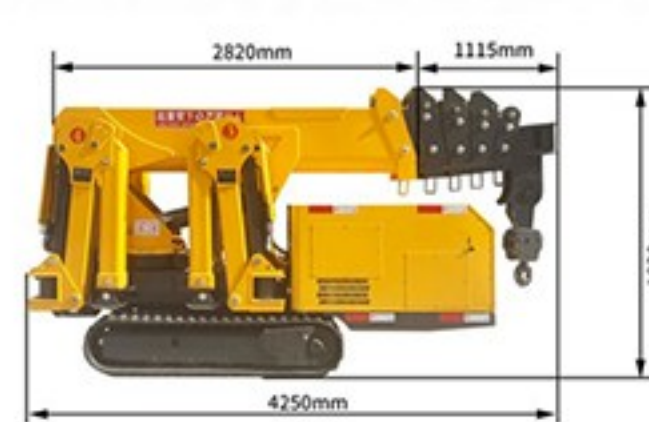
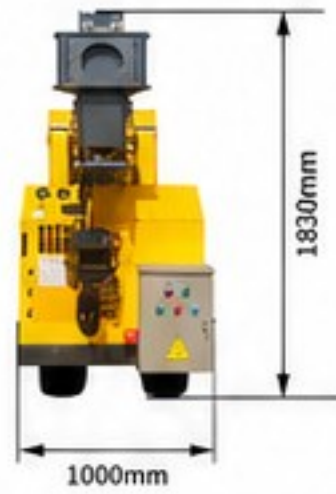
Proudly Distributed by MCM



### 1 PERFORMANCE CHARACTERISTICS

- Small size, light weight, compact structure, widely used in small space such as floor roof lifting, substation maintenance, etc.
- Rubber tracked chassis, no damage to the ground, adaptable to a variety of surfaces
- The boom is made of high-strength manganese steel for better lifting capacity.
- Remote control can be added for easy operation

### 2 TECHNICAL ILLUSTRATIONS & LIFTING WEIGHT CHART

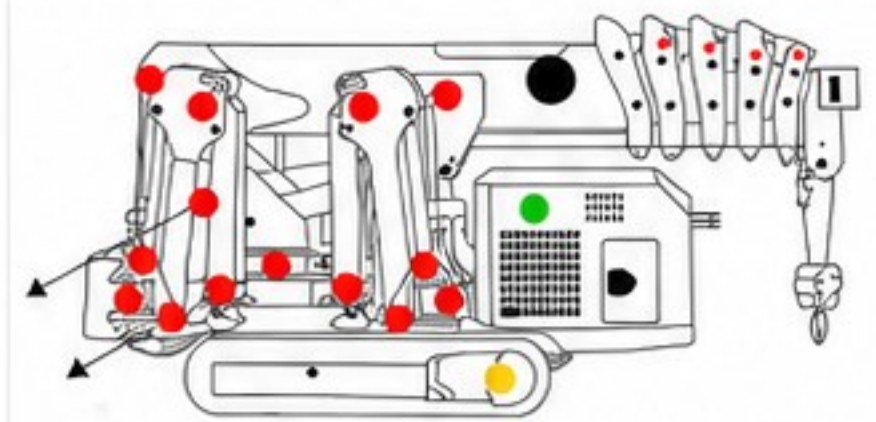


### 3 TECHNICAL PARAMETERS

• dead-weight (T)	3T	Electrical Machinery	• voltage	AC380V	
• Maximum operating radius	13m	engine	• Manufacturer	Changchai (Support customization)	
• Maximum ground lift	15m		• model number	Changchai 380G three-cylinder 14.7KW	
Winch device	• Hook lifting speed		0-8m/min (4 ropes)	• start mode	Electric start
	• Specification of steel wire rope		Φ 8 mm*45m	• start performance	-50°C~45°C
Telescopic device	• Boom form	3m x 5-section lifting arm	• Fuel/Volume	Diesel oil/12L	
	• Boom length/time	3.1m-15m/20sec (adjustable)	• Battery capacity	12v 45AH	
gyroscope	• Boom angle/time	0-78°/13sec	• Fuel consumption rate	274g/KW-h	
	• Rotation angle/speed	0-360° continuous/60sec	• noise level	Rated speed < 81.5dB(A)	
Outrigger	• Outrigger movement form	four screw-type hydraulic support	• Operation type boom, flag, manual walking	Manual servo + hydraulic support (Three sections king authorization)	
	• Maximum extension amplitude (mm)	4230 (length) X 3830 (rear) X 4310 (front)	• Operational Characteristics	Manual operation/Optional remote control	
running gear	• Walking mode	hydraulic drive	• Diesel engine and electric motor (dual power)		
	• Walking speed	0-2.5km/h	• Vehicle Size	4.25meters length, 1meters width, and 1.83meters height	
	• Gradeability	25°(36%)	• Track (mm)	230 (width) 72 (pitch) 53 (section)	

Optional Optional torque controller/remote control/cradle/hydraulic flying jib/colors: red, green, yellow, white, grey, black

### 4 LUBRICATION PARTS DIAGRAM



Note: Turntables and jibs must be maintained regularly (28 days is a cycle)/ "Whenever the jibs are out, grease the jibs."

### 5 ACCESSORIES / OPTIONS



[www.MCMGROUP.co.za](http://www.MCMGROUP.co.za)

**CAPE TOWN**  
9 Karee Rd, Kraaifontein Industria,  
Cape Town, 7570  
**SALES** (+27) 21 001 8686  
ruan@mcmco.co.za

**GEORGE**  
Jura Lands, Beach Road,  
Hansmoeskraal, George, 6529  
**SALES** (+27) 44 878 2917  
chris@mcmco.co.za

**FREE STATE**  
Bloem Showgrounds, Curie Avenue,  
Generaal De Wet, Bloemfontein, 9301  
**SALES** (+27) 84 022 7300  
clarence@mcmco.co.za

**GAUTENG**  
26 Sterling Rd, Unit 1, Samrand  
Business Park, Midrand, 0117  
**SALES** (+27) 12 030 3451  
sales@mcmco.co.za