

YUCHAI YC60-9

Medium Excavator

Reliable Power • Precise Performance • Built for Tough Jobs



PROUDLY DISTRIBUTED BY MCM

Website: www.MCMGROUP.co.za

Instagram: [mcm.company](https://www.instagram.com/mcm.company)

Facebook: [MCM GROUP](https://www.facebook.com/MCMGROUP)

YUCHAI YC60-9

Medium Excavator

Technical Specifications



Basic parameter	
Machine weight	5700 kg
Bucket capacity	0.21 m ³
Width of bucket	742 mm

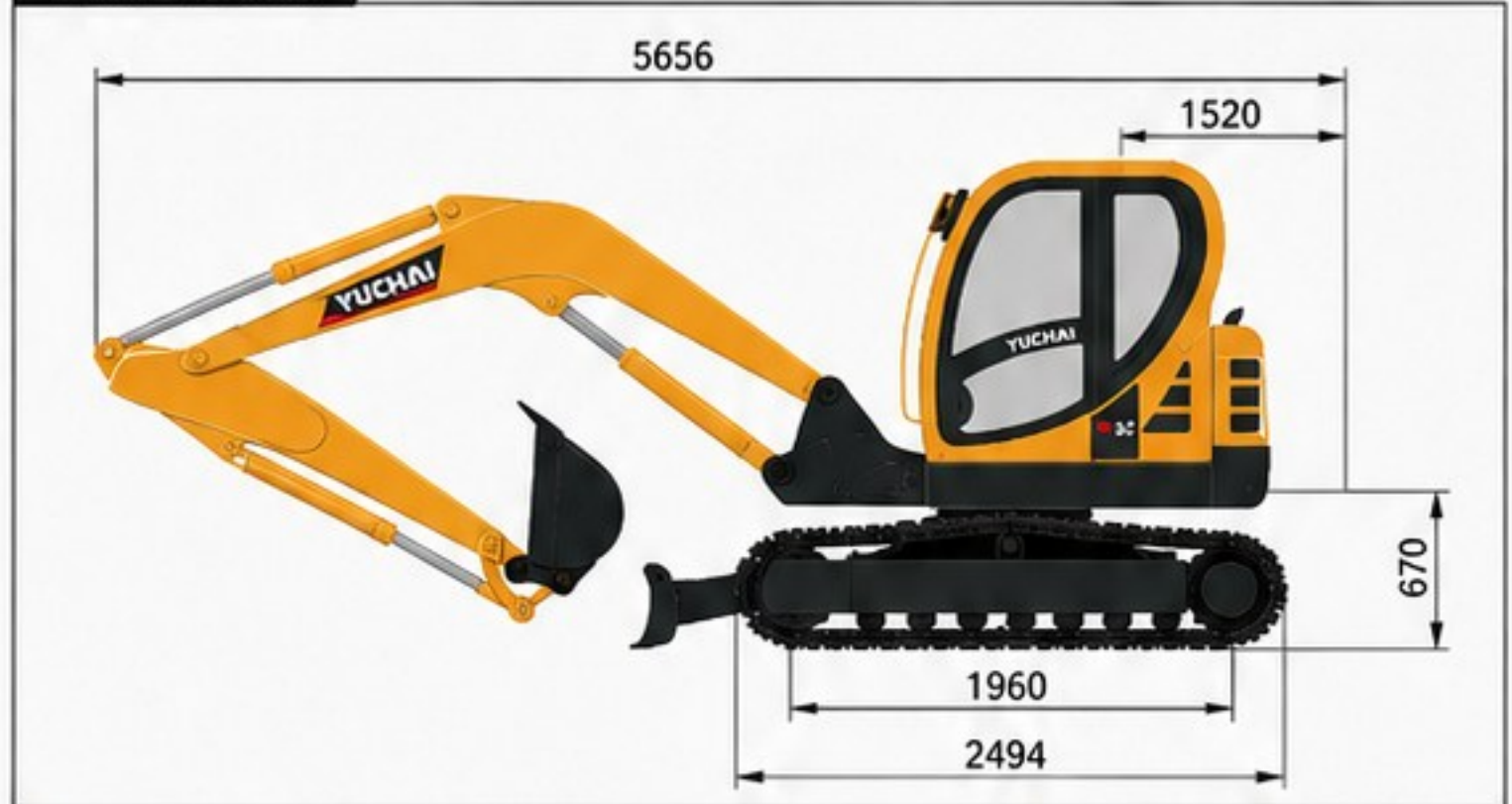
Performance parameter	
Engine model	kubota / V2607
Engine power	35/2200 kW/rpm
Max.Gradeability	35 °
Max.digging force of arm	27.5 kN
Max.digging force of bucket	36.6 kN
Traveling speed	2.2/3.6 km/h
Max.hauling force	46.5 KN
Slewing speed of platform	9~11 rpm

Operating parameter	
Max.digging height	5740 mm
Max.digging depth	3720 mm
Max.digging radius	6065 mm
Max.digging radius on ground level	5945 mm
Max.dumping height	4040 mm
Min.slewing radius	2175 mm
Max.vertical digging depth	2750 mm

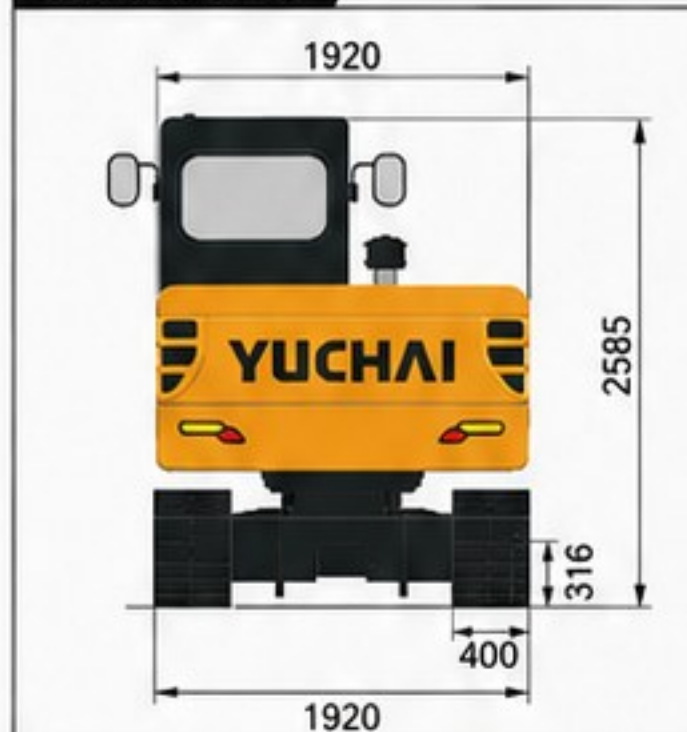
Transportation dimension	
Overall length	5656 mm
Overall width	1920 mm
Overall height	2585 mm

Other Parameter	
Width of undercarriage	1920 mm
Length of track	2494 mm
Width of track	400 mm
Height between undercarriage and ground	316 mm
Height between platform and ground	670 mm
Platform tail turning radius	1520 mm
Length to center of rollers	1960 mm
Fuel tank capacity	103 L
Hydraulic oil tank capacity	74 L
Track gauge	1520 mm
Working Pressure	25 MPa
Arm length	1699.2 mm
Boom length	3118 mm
Flow rate	138.6 L/Min

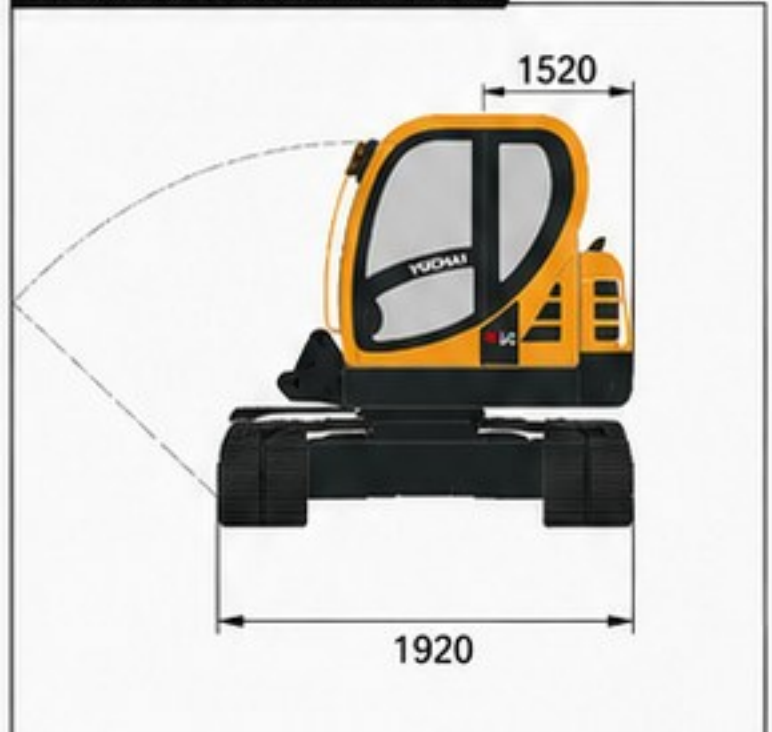
DIMENSIONS



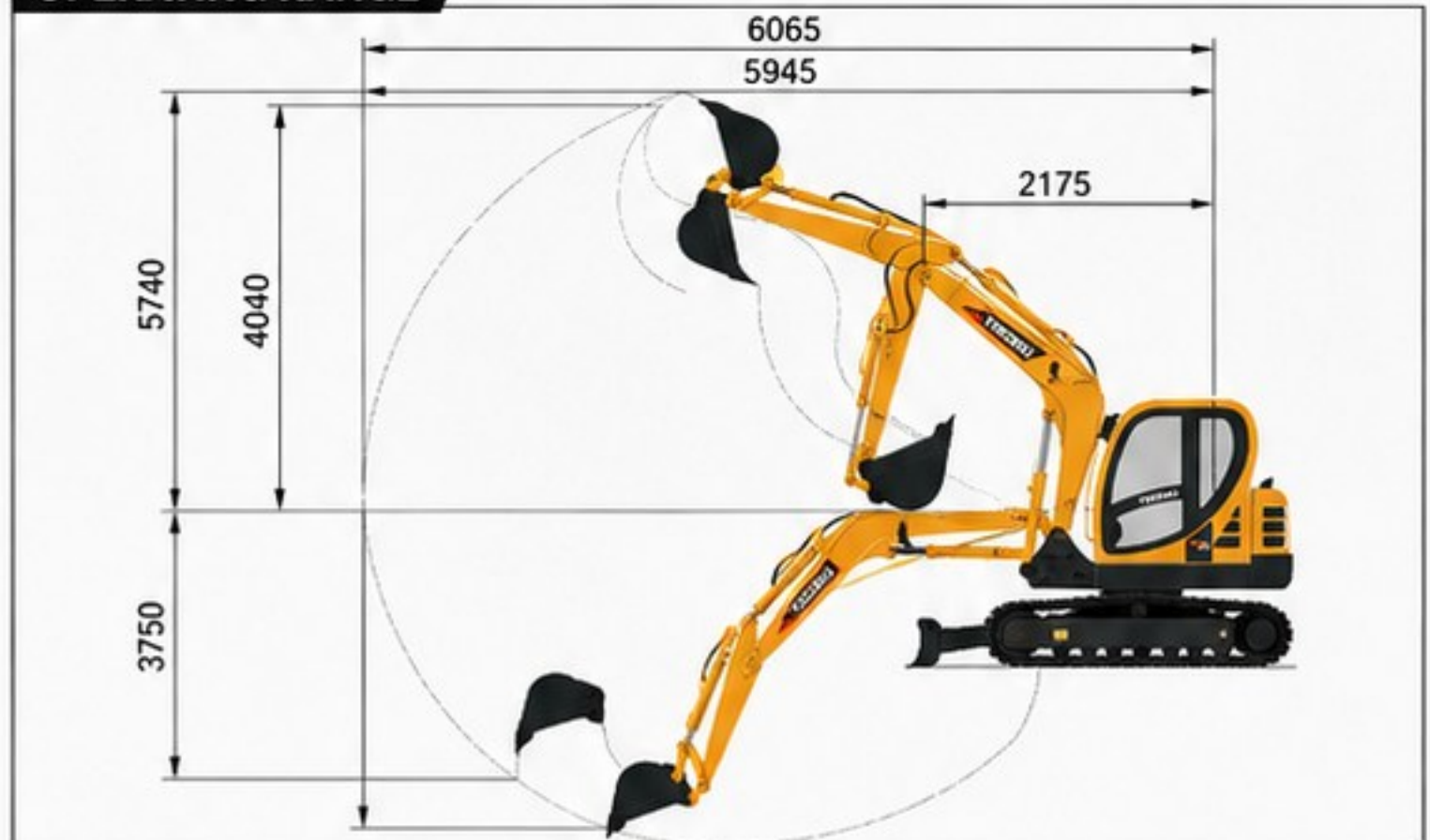
FRONT VIEW



REAR SWING RADIUS



OPERATING RANGE



Website: www.MCMGROUP.co.za

CAPE TOWN
9 Karee Rd, Kraaifontein Industria,
Cape Town, 7570
SALES (+27) 21 001 8686
ruan@mcmco.co.za

GEORGE
Jura Lands, Beach Road,
Hansmoeskraal, George, 6529
SALES (+27) 44 878 2917
chris@mcmco.co.za

FREE STATE
Bloem Showgrounds, Curie Avenue,
Generaal De Wet, Bloemfontein, 9301
SALES (+27) 84 022 7300
clarence@mcmco.co.za

GAUTENG
26 Sterling Rd, Unit 1,
Samrand Business Park, Midrand, 0117
SALES (+27) 12 030 3451
sales@mcmco.co.za