



# YUCHAI U18

*Mini Excavator*

**SPEC SHEET**

Proudly distributed by **MCM**



@mcm.company



MCM Group



www.MCMGROUP.co.za

# YUCHAI U18

## Mini Excavator

### SPEC SHEET

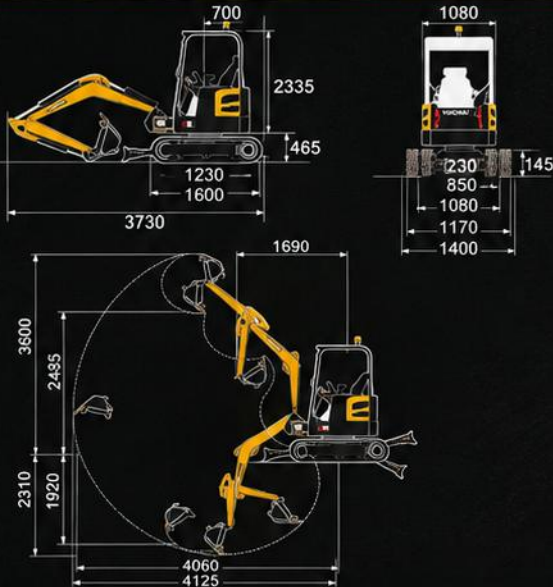
Proudly distributed by **MCM**

#### KEY SPECIFICATIONS

	Machine Weight:	1800/1880 kg
	Bucket capacity:	0.05 m <sup>3</sup>
	Engine power:	14.5/2400 / 15.2/2500 kW/rpm

- Optional Euro V / Tier4 engine (Yanmar engine)
- Telescopic chassis, Solid and reliable
- Low fuel consumption
- Swiftly detachable canopy
- Operation in utmost comfort
- Easy maintenance
- Standard with Rubber Tracks

#### DIMENSIONS & OPERATING RANGE



#### TECHNICAL SPECIFICATIONS

##### Basic parameter

Machine weight	1800/1880 kg
Bucket capacity	0.05 m <sup>3</sup>
Width of bucket	450 mm

##### Performance parameter

Engine model	Yanmar 3TNV76 / 3TNV80F
Engine power	14.5/2400 / 15.2/2500 kW/rpm
Max. Gradeability	30 °
Max. digging force of arm	8.5 kN
Max. digging force of bucket	15.5 kN
Traveling speed	2/4 km/h
Max. hauling force	22 kN
Slewing speed of platform	8.5–10.5 rpm

##### Operating parameter

Max. digging height	3600 mm
Max. digging depth	2310 mm
Max. digging radius	4125 mm
Max. digging radius on ground level	4060 mm
Max. dumping height	2485 mm
Min. slewing radius	1690 mm
Max. vertical digging depth	1920 mm

##### Transportation dimension

Overall length	3730 mm
Overall width	1080 mm
Overall height	2335/2345 mm

##### Other Parameter

Width of undercarriage	1080–1400 mm
Length of track	1600 mm
Width of track	230 mm
Height between undercarriage and ground	145 mm
Height between platform and ground	450 mm
Platform tail turning radius	700 mm
Length to center of rollers	1230 mm
Fuel tank capacity	23 L
Hydraulic oil tank capacity	20 L
Track gauge	850/1170 mm
Working Pressure	24 Mpa
Arm length	950 mm
Boom length	1828 mm
Steering head angle	60°(L) / 70°
Flow rate	61.6 L/Min

#### CAPE TOWN

9 Karee Rd, Kraaifontein Industria,  
Cape Town, 7570

SALES (+27) 21 001 8686

ruan@mcmco.co.za

#### GEORGE

Jura Lands, Beach Road,  
Hansmoeskraal, George, 6529

SALES (+27) 44 878 2917

chris@mcmco.co.za

#### FREE STATE

Bloem Showgrounds, Curie Avenue,  
Generaal De Wet, Bloemfontein, 9301

SALES (+27) 84 022 7300

clarence@mcmco.co.za

#### GAUTENG

26 Sterling Rd, Unit 1,  
Samrand Business Park, Midrand, 0117

SALES (+27) 12 030 3451

sales@mcmco.co.za