

MCM

MULTI
CONSTRUCTION
MACHINES

SPEC SHEET

MCM 13X TLB

COMPACT POWER. MAXIMUM PERFORMANCE.

BUILT TO WORK. **BUILT TO LAST.**



Product page



COMPACT SIZE.
SERIOUS PERFORMANCE.



@mcm.company



MCM Group



www.MCMgroup.co.za

MCM 13X TLB

TECHNICAL SPECIFICATIONS



1. ENGINE

Machine	13X
Model	Kubota
Type	Water Cooled, 4 stroke
No. of Cylinders	3-Cylinder
Net Peak Power	18.3kW (24.5HP) @ 2100 rpm
Fuel Type	Diesel
Vehicle Speeds	20km/h

2. HYDRAULIC SYSTEM

Max Flow	20L/min
System Pressure	16Mpa

3. STEERING SYSTEM

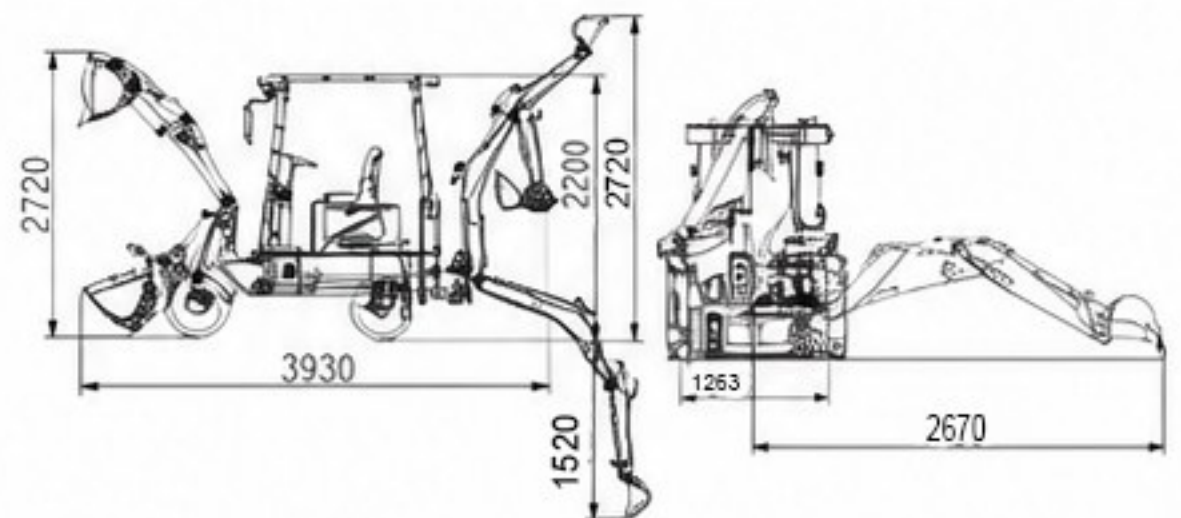
Steering	Hydraulic
Pressure	16Mpa

4. OPERATION DIMENSIONS

Total Travel Length	3930mm
Total Travel Height	2200mm
Total Travel Width	1263mm

5. OPERATION PARAMETERS

Operating Weight	1500kg
Backhoe Parameters	
Max. Digging Depth	1520mm
Max. Dumping Height	2720mm
Max. Digging Radius	2670mm
Rotation Angle of Boom	170°
Loader Parameters	
Loader Bucket Capacity	0.3m3
Rated Loading Weight	500kg
Max. Lift Height	2368mm
Max. Dumping Height	2100mm
Dumping Distance	1000mm



COMPACT SIZE.
SERIOUS PERFORMANCE.

BUILT TO WORK.
BUILT TO LAST.

RELIABLE.
TOUGH. EFFICIENT.

MAXIMUM POWER.
MAXIMUM UPTIME.

www.MCMGROUP.co.za

CAPE TOWN
9 Karee Rd, Kraaifontein Industria,
Cape Town, 7570

SALES
(+27) 21 001 8686
 ruan@mcmco.co.za

GEORGE
Jura Lands, Beach Road,
Hansmoeskraal, George, 6529

SALES
(+27) 44 878 2917
 chris@mcmco.co.za

FREE STATE
Bloem Showgrounds,
Curie Avenue, Generaal De Wet,
Bloemfontein, 9301

SALES
(+27) 84 022 7300
 clarence@mcmco.co.za

GAUTENG
26 Sterling Rd, Unit 1,
Samrand Business Park,
Midrand, 0117

SALES
(+27) 12 030 3451
 sales@mcmco.co.za