

# MCM

# MCM KP50 ROAD ROLLER

*Walk-Behind Double Drum Vibratory Compactor*



**8.4 HP**

Honda GX270  
Engine



**500 kg**

Operating  
Weight



**70 Hz**

Vibration  
Frequency



Website : [www.MCMGROUP.co.za](http://www.MCMGROUP.co.za)



Instagram : [mcm.company](https://www.instagram.com/mcm.company)



Facebook : [MCM GROUP](https://www.facebook.com/MCM.GROUP)

# MCM

# MCM KP50 ROAD ROLLER

## Technical Specifications



**8.4 HP**  
Honda GX270  
Engine



**500 kg**  
Operating  
Weight



**70 Hz**  
Vibration  
Frequency

### Honda GX270 - Engineered For Success

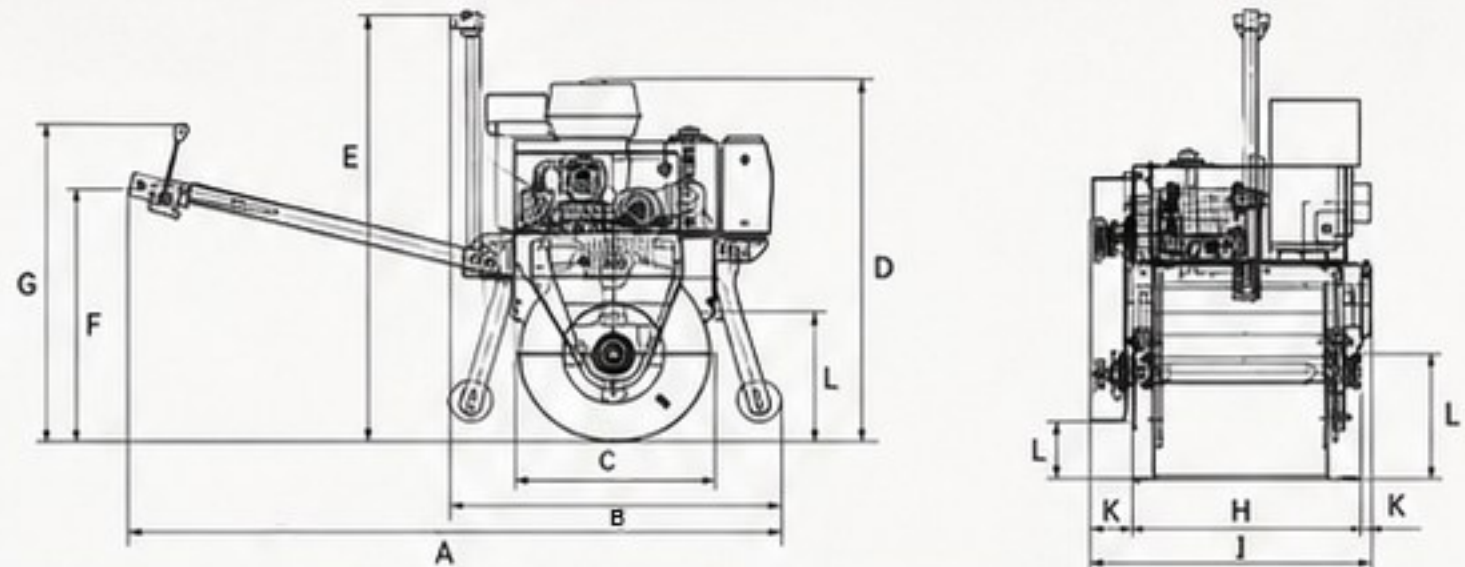
#### ENGINE SPECIFICATIONS

Model	GX270
Type	4-stroke, OHV, single cylinder, inclined by 25°
Displacement	270 cm (16.5 cu.in)
Max. Horsepower	8.4 HP (6.3 kW) @ 3,600 rpm
Max. Torque (Crank PTO)	19.1 N.m (1.94 kg m, 14.1 ft-lb) at 2500 rpm
Carburetor	Horizontal type, butterfly valve
Cooling System	Forced-air
Ignition System	C.D.I.(Capacitor Discharge Ignition) type magneto ignition
Lubricating System	Forced splash
Starting System	Recoil and starter motor
Fuel Used	Unleaded gasoline (octane number 86 or higher)
Fuel Consumption	Varies
PTO Shaft Rotation	Counterclockwise (from PTO Shaft side)

#### GX270 Type S

Length, mm (in)	355 (14.0)
Width, mm (in)	428 (16.9)
Height, mm (in)	422 (16.6)
Dry Weight, kg (lb)	25.8 (56.9)
Operating Weight, kg (lb)	30.5 (67.2)

### DIMENSIONS



#### STATIC DIMENSIONS

A	Operating Length, mm (in)	1893 (74.53)
B	Travel Length, mm (in)	990 (38.98)
C	Drum Diameter, mm (in)	560 (22.05)
D	Operating Height, mm (in)	1063 (41.85)
E	Travel Height, mm (in)	1603 (63.11)
F	Height of Guide Bar, mm (in)	798.5 (31.4)
G	Height of Joystick, mm (in)	957 (37.68)
H	Drum Width, mm (in)	690 (27.17)
I	Stabiliser Drum Width, mm (in)	690 (27.17)
J	Travel Width, mm (in)	870 (34.25)
K	Side Overhang, mm (in)	Left 119 (4.69)
		Right 46 (1.81)
L	Curb Clearance, mm (in)	Left 180 (7.09)
		Right 376 (14.8)

#### OPERATING DATA

Operating Weight, kg (lb)	500 (1102)
Drive System	Hydraulic Transmission
Vibration Frequency, Hz (vpm)	70 (420)
Nominal Amplitude (front/rear), mm (in)	0.5mm (0.019)
Static Line Load, N.cm (ozf.in)	50
Driving Speed, km/h (mph)	0 - 4 (0-2.48)
Fuel Tank Capacity, L (gal)	6 (1.58)
Hydraulic Oil Tank Capacity, L (gal)	16 (4.2)
Water Tank Capacity, L (gal)	20 (4.4)
Starting System	Manual
Sprinkler System	Gravity
Parking Brake	Manual

### EXCEPTIONAL STANDARD FEATURES

- Hydrostatic propulsion of drum
- Mechanical driving
- Mechanical vibration
- Use automatic clutch, the vibration by speed up engine.
- Newly designed engine hand throttle
- With water sprayers
- Adjustable operator steering column
- Easy-access design for fast maintenance
- Transport lifting & latching hooks



[www.MCMGROUP.co.za](http://www.MCMGROUP.co.za)

**MCM**  
BUILT TO PERFORM

#### CAPE TOWN

9 Karee Rd, Kraaifontein Industria,  
Cape Town, 7570

SALES (+27) 21 001 8686

ruan@mcmco.co.za

#### GEORGE

Jura Lands, Beach Road,  
Hansmoeskraal, George, 6529

SALES (+27) 44 878 2917

chris@mcmco.co.za

#### FREE STATE

Bloem Showgrounds, Curie Avenue,  
Generaal De Wet, Bloemfontein, 9301

SALES (+27) 84 022 7300

clarence@mcmco.co.za

#### GAUTENG

26 Sterling Rd, Unit 1,  
Samrand Business Park, Midrand, 0117

SALES (+27) 12 030 3451

sales@mcmco.co.za