

MCM

SITE DUMPER

SD15/SD15R



Site Dumper

-  Operating Weight 2850kg
-  Rated Power 42kW
-  Rated load 3000kg
-  Overall Dimension (L*H*W) 4250*2650*1700mm



Tel: +27(0)21 001 8686

Website: www.mcmgroup.co.za

Address: 2 Alkin Park, 4 Montreal Drive, Airport Industria, Cape Town, 7490

Tel: +27 (0)12 030 3451

Facebook: @TheMCMCompany

Address: 26 Sterling Rd, Unit 1, Samrand Business Park, Midrand, 1682

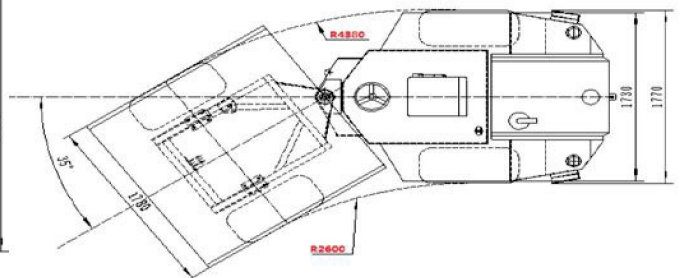
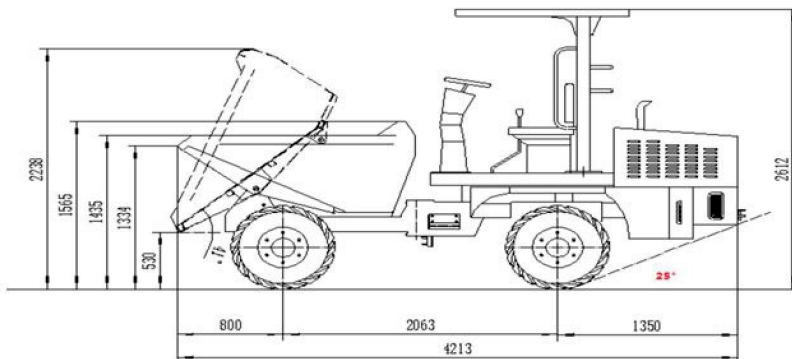
Email: sales@mcmco.co.za

Instagram: [mcm.company](https://www.instagram.com/mcm.company)

SD15/SD15R | Site Dumper

Specifications:

Bucket Capacity		1.5m ³
Rated Load		3000kg
Operating Weight		2850kg
Grade ability		25°
Min. Turning Radius		4000mm
Wheel Tread/Wheel Base		2050mm/1360mm
Overall Dimension(L*W*H)		4250*1700*2650mm with canopy
Engine	Model	YUNNEI YN27
	Type	in line\direct injection\water cooler\4 cylinders
	Rated Power	42kW
	Max Torque	2400r/min
Transmission	Gearbox	Gear transmission
	Clutch	Dry Friction
	No. of shifts	Forward 2 / back 2
	Max Speed	24km/hr
	Rear and front axle	4*4, Front axle fixed, Rear axle swing (+/-110)
Steering	Type	Hydraulic Ssteering
	Steering Angle	35 Degrees on both sides
Hydraulic	Pressure	16MPA
	Brake Type	Air Brakes (Air Boosted)
Tyre	Size	12-16.5 Tubeless
	Fuel tank	58L
	Hydraulic Oil Tank	58L



☎ Tel: +27(0)21 001 8686

🌐 Website: www.mcmgroup.co.za

📍 Address: 2 Alkin Park, 4 Montreal Drive, Airport Industria, Cape Town, 7490

☎ Tel: +27 (0)12 030 3451

📘 Facebook: @TheMCMCompany

📍 Address: 26 Sterling Rd, Unit 1, Samrand Business Park, Midrand, 1682

✉ Email: sales@mcmco.co.za

📷 Instagram: [mcm.company](https://www.instagram.com/mcm.company)