

MCM



Custom Masts



Attachments



Optional Cab



Engine Options



Tyre Options



Seat Upgrade



S SERIES S100 - 10.0TON DIESEL FORKLIFT

MCM



HIGH PERFORMANCE HYDRAULIC CYLINDER



POWERFUL ENGINE



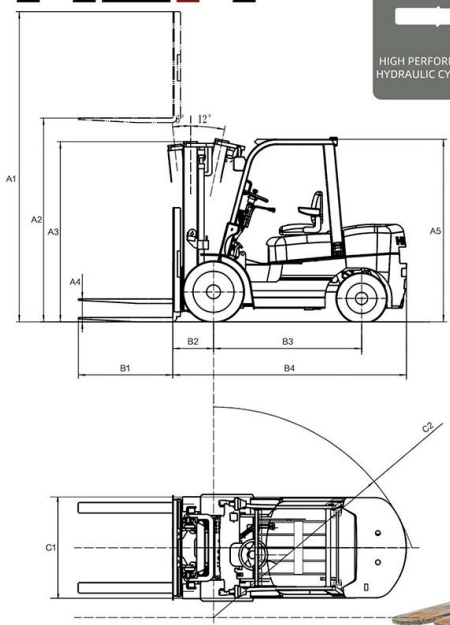
LOW FUEL CONSUMPTION AND HIGH PERFORMANCE



WEAR-RESISTANT TYRE



ULTRA-HIGH SECURITY



S100 (10.0) Ton Performance Parameters

General	1	Model		S100	
	2	Rated Load Capacity	kg	10000	
	3	Load Center	mm	600	
Dimensions	4	Lifting Height (A2)	mm	3000	
	5	Free Lifting Height (A4)	mm	180	
	6	Fork Size (B1)	LxWxT	mm	1220X175X80
	7	Mast Tilting Angle	F/R		6/12
	8	Length(without fork) (B4)	mm		4270
	9	Overall Width (C1)	mm		2164
	10	Mast Hight After Mast Fall (A3)	mm		2700
	11	Lift Height (A1)	mm		4400
	12	Overhead Guard Height (A5)	mm		2550
	13	Turning Radius (C2)	mm		4110
	14	Front Overhang (B2)	mm		700/755
	15	Min.Right Angle Channel Width	mm		3740
	16	Wheelbase (B3)	mm		2800
	17	Track	Front	mm	1600
	18		Rear	mm	1720
	19	Ground Clearance	Mast	mm	240
	20		Car Center	mm	290
Performance	21	Travel	Full Load	km/h	24
	22		No Load	km/h	26
	23	Lifting	Full Load	mm/s	330
	24		No Load	mm/s	350
	25	Lowering	Full Load	mm/s	380
	26		No Load	mm/s	350
	27	Max.Drawbar Pull	Full/No Load	kg	62000/49500
	28	Max.Gradeability	Full/No Load	%	15/20
Tire	29	Front Tire		900-20-14	
	30	Rear Tire		900-20-14	
Weight	31	Total Weight	kg	13120	
	32	Battery	Voltage/Capacity	V/AH	24/80
Power& Transmission	33	Model		Xichai CA4DF3-12CG3U Quanchai 4J1-115C32	
	34	Engine	Rated Power/Speed	Kw/rpm 85/2200 85/2200	
	35		Max.Torque/Speed	N.m/rpm 460/1400-1500 500/1600	
	36	Work Pressure	Mpa		20

S SERIES S100 - 10.0TON PARAMETERS

- Reliable Transmission.
- Optional Side Shifter with Various Mast Options.
- Low Cost-To-Ownership & Easy Servicing.
- Optimal Engine Accessibility.
- Pneumatic or Solid Tyres.
- Heavy-Duty Robust Build for Tough Working Conditions.
- Different Fork Length Options.
- Various Other Extras Available.

10.0t 2 Stage Mast

Mast Height	Carrying Capacity (Load center is 500mm)(kg)	Mast Height After Mast Fall	Free Lifting Height (mm)	Full Mast Height (mm)	Mast Tilting Angle (F/R)	Total Weight (kg)
3000	10000	2850	160	4225	6-12°	12860
3250	10000	2975	160	4475	6-12°	12900
3300	10000	3000	160	4525	6-12°	12935
3500	10000	3100	160	4725	6-12°	12970
3750	10000	3225	160	4975	6-12°	13000
4000	10000	3400	160	5225	6-6°	13080
4250	10000	3525	160	5650	6-6°	13120
4500	10000	3650	160	5725	6-6°	13160
4750	10000	3775	160	5975	6-6°	13200
5000	10000	3900	160	6225	3-6°	13310
5500	9000	4200	160	6725	3-6°	13360

Note:(1)Indicates the rated load capacity of double tires on the front wheel
(2) The self-Weight in the table is the weight of double tires+110kg