

MCM

Together, The Future Is Built

MCM 75DS



Instagram:
[@mcm.company](https://www.instagram.com/mcm.company)



Facebook:
MCM Group



Website:
www.MCMGROUP.co.za

MCM

MCM 75DS

TECHNICAL SPECIFICATIONS

BUILT TO PERFORM. ENGINEERED TO ENDURE.

The MCM 75DS delivers powerful performance, precision control and rugged durability for the toughest jobs.

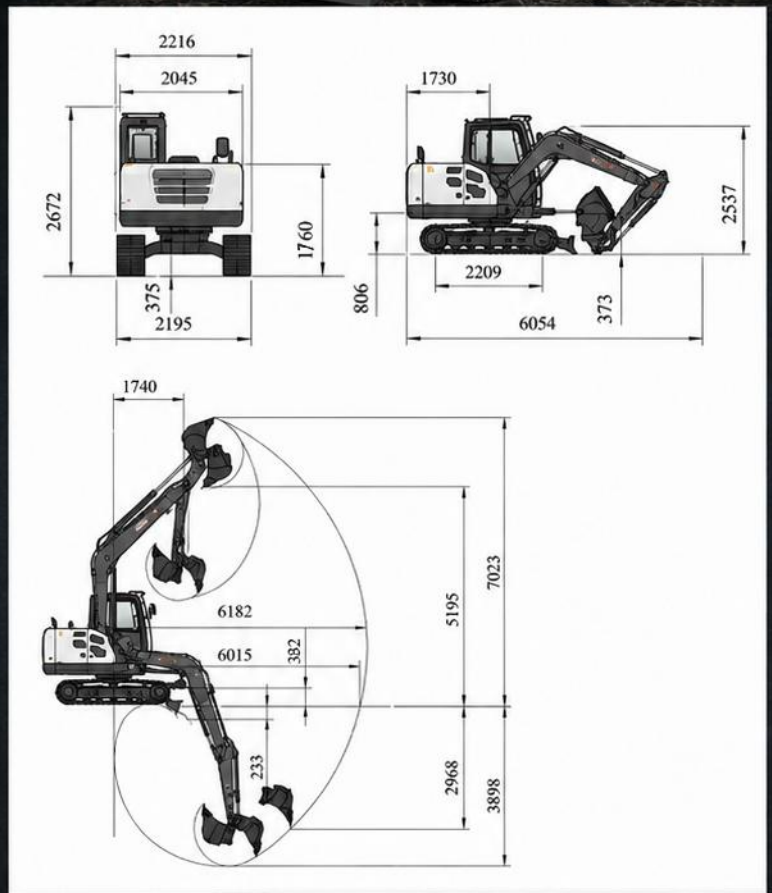


ENGINE / PERFORMANCE

Model	YANMAR 4TNV98
Net Peak Power	52kW @ 2500 rpm
System Pressure	27MPa
Bucket Capacity	0.28 m3
Swing Speed	0-11 rpm
Gradeability	35°
Max. Bucket Digging Force	56kN

OPERATION PARAMETERS

Max. Digging Height	7023mm
Max. Dumping Height	5195mm
Max. Digging Depth	3898mm
Max. Vertical Digging Depth	2968mm
Max. Digging Radius	6182mm
Max. Swing Radius	1740mm
Max. Dozer Blade Lifting Distance	382mm
Max. Dozer Blade Cutting Distance	332mm
Overall Dimensions L*W*H	6054x2216x2672mm
Cabin Height	2672mm
Axle Base	2209mm
Wheel (Track) Distance	1745mm
Min. Ground Clearance	375mm
Tail Swing Radius	1730mm



Website:
www.MCMGROUP.co.za

CAPE TOWN

9 Karee Rd, Kraaifontein
Industria, Cape Town, 7570

SALES (+27) 21 001 8686

✉ ruan@mcmco.co.za

GEORGE

Jura Lands, Beach Road,
Hansmoeskraal, George, 6529

SALES (+27) 44 878 2917

✉ chris@mcmco.co.za

FREE STATE

Bloem Showgrounds, Curie Avenue,
Generaal De Wet, Bloemfontein, 9301

SALES (+27) 84 022 7300

✉ clarence@mcmco.co.za

GAUTENG

26 Sterling Rd, Unit 1,
Samrand Business Park, Midrand, 0117

SALES (+27) 12 030 3451

✉ sales@mcmco.co.za