

# MCM

Together, The Future Is Built

# MCM 58X TLB

SPEC SHEET

**Built for Big Jobs.**



BUILT TOUGH



VERSATILE  
PERFORMANCE




POWERFUL  
& EFFICIENT




OPERATOR  
FOCUSED



RELIABLE  
BY DESIGN

 @mcm.company

 MCM Group

 [www.MCMgroup.co.za](http://www.MCMgroup.co.za)



# MCM 58X TLB

## TECHNICAL SPECIFICATIONS



### 1 ENGINE

|                    |                                |
|--------------------|--------------------------------|
| Machine            | 58X                            |
| Model              | YN27GBZ YUNNEI Engine          |
| Type               | Direct Injection, Water Cooled |
| No. of Cylinders   | 4                              |
| Net Peak Power     | 58kW (78HP)@2400rpm            |
| Fuel Tank Capacity | 70L                            |
| Vehicle Speeds     | 10-30km/h                      |



### 2 HYDRAULIC SYSTEM

|                 |                        |
|-----------------|------------------------|
| Circuit Type    | Open Centre, gear type |
| System Pressure | 20MPa                  |
| Pump Capacity   | 80 L/min @ 1,900rpm    |
| Vehicle Drive   | 4WD                    |
| Steering System | Full Shuttle-Shift     |



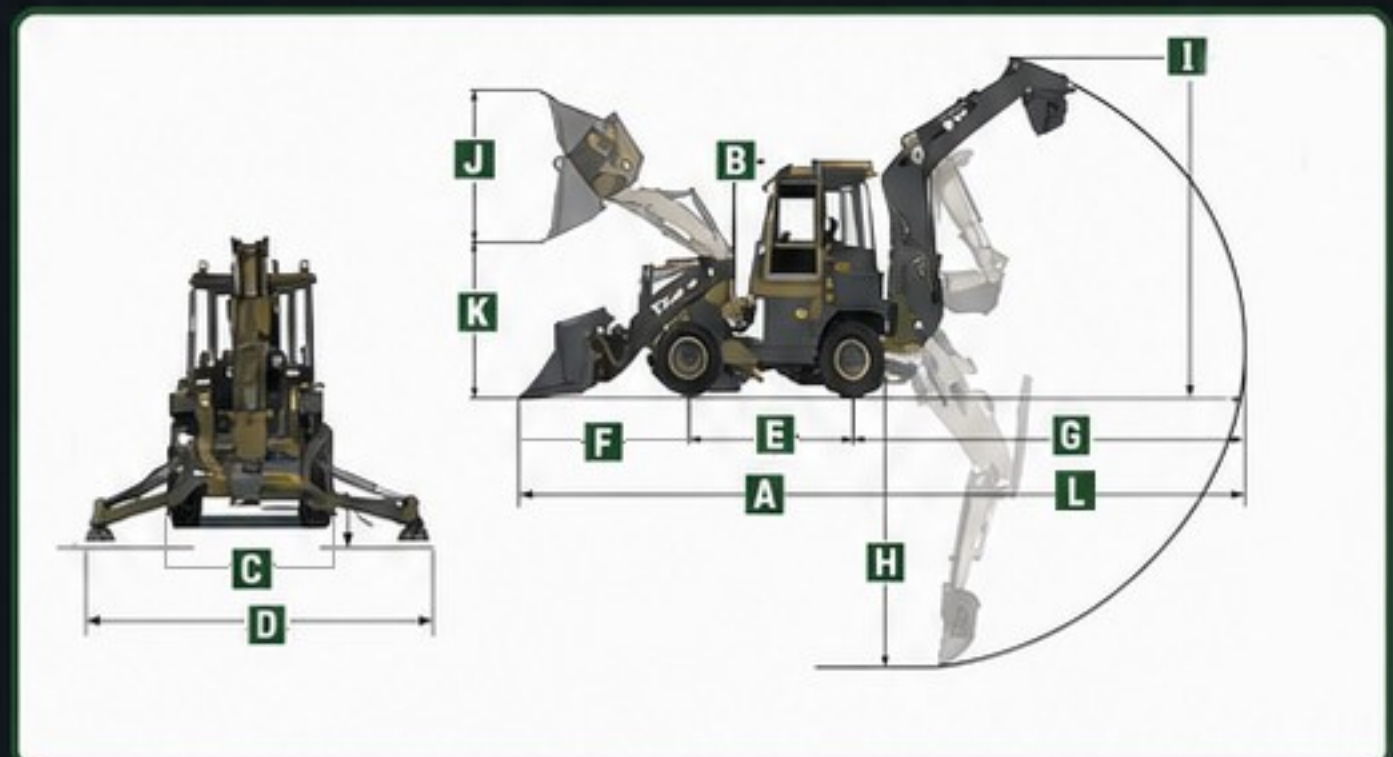
### 3 OPERATION DIMENSIONS

|   |                              |        |
|---|------------------------------|--------|
| A | Total Travel Length          | 6870mm |
| B | Total Travel Height          | 2850mm |
| C | Total Travel Width           | 1960mm |
| D | Wheelbase                    | 2150mm |
| E | Front Axle to Bucket Edge    | 1920mm |
| F | Backhoe Reach from Rear Axle | 5850mm |



### 4 OPERATION PARAMETERS

|                              |                        |
|------------------------------|------------------------|
| Operating Weight             | 5200kg                 |
| ■ Backhoe Bucket Capacity    | 0.15m <sup>3</sup>     |
| <b>H</b> Max. Digging Depth  | 3030mm                 |
| <b>I</b> Max. Working Height | 4000mm                 |
| <b>L</b> Max. Digging Radius | 4100mm                 |
| ■ Rotation Angle of Boom     | 180°                   |
| Loader Parameters            |                        |
| ■ Bucket Capacity            | 0.65-0.8m <sup>3</sup> |
| ■ Rated Loading Weight       | 1300kg-1500kg          |
| <b>J</b> Max. Lifting Height | 3990mm                 |
| <b>K</b> Max. Dumping Height | 2750mm                 |
| ■ Dumping Distance           | 1000mm                 |
| ■ Min. Turning Radius        | 5160mm                 |
| ■ Bucket Breakout Force      | 38kN / 3467kgf         |



[www.MCMGROUP.CO.ZA](http://www.MCMGROUP.CO.ZA)

#### CAPE TOWN

9 Karee Rd, Kraaifontein Industria, Cape Town, 7570

#### SALES

☎ (+27) 21 001 8686  
✉ ruan@mcmco.co.za

#### GEORGE

Jura Lands, Beach Road, Hansmoeskraal, George, 6529

#### SALES

☎ (+27) 44 878 2917  
✉ chris@mcmco.co.za

#### FREE STATE

Bloem Showgrounds, Curie Avenue, Generaal De Wet, Bloemfontein, 9301

#### SALES

☎ (+27) 84 022 7300  
✉ clarence@mcmco.co.za

#### GAUTENG

26 Sterling Rd, Unit 1, Samrand Business Park, Midrand, 0117

#### SALES

☎ (+27) 12 030 3451  
✉ sales@mcmco.co.za