

MCM

Together, The Future Is Built

MCM 20DS MINI EXCAVATOR

SPEC SHEET

BUILT TO WORK





ENGINE

Model	Kubota D1105 (EU Stage III Emissions)
Type	Direct Injection, Water Cooled
No. of Cylinders	3-Cylinder Diesel Engine
Net Peak Power	18.7 kW (25HP) @ 3000 rpm
Fuel Tank Capacity	17 Litres

MAIN PERFORMANCE

Swing Speed	0-9 rpm
Traveling Speed	2.8 km/h
Grade Ability	35 Degrees
Ground Pressure	30 KPa
Traveling Tracking Force	15.2 kN
Bucket Digging Force	18 kN
Arm Digging Force	11 kN

HYDRAULIC SYSTEM

Hydraulic Pump	Italian Casappa
Main Valve	Italian Wavoil
Circuit Type	Single Piston
Pump Capacity	40 L/min
System Pressure	21.5 MPa
Tank Capacity	18 L
Traveling & Swing Motors	USA Eaton

OPERATION PARAMETERS

Operation Weight	1900 kg
Standard Bucket Capacity	0.07 m ³
Max. Digging Radius	4040 mm
Max. Digging Depth	2400 mm
Max. Working Height	3700 mm
Max. Dumping Height	2440 mm
Max. Dozer Cutting	270 mm
Max. Dozer Lifting	240 mm
Min. Swing Radius	1610 mm



Under our policy of continuous improvement, we reserve the right to change technical data and design without prior notice.

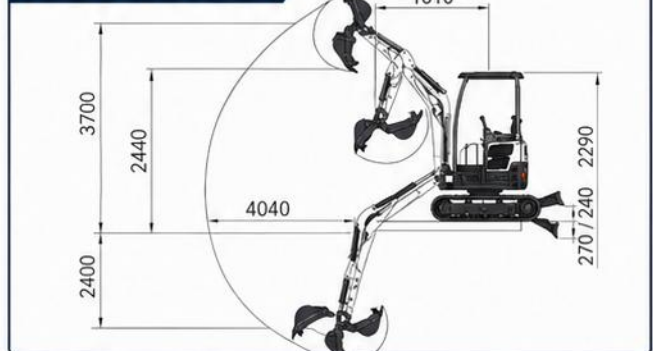
OVERALL DIMENSIONS

Overall Length	mm	3350
Overall Width	mm	1300
Overall Height	mm	2290
Ground Clearance	mm	150
Track Length	mm	1610
Track Width	mm	990/1300
Undercarriage Width	mm	990
Dozer Blade	mm	1050 x 240

COMPACT DIMENSIONS



WORKING RANGE DIAGRAM



ATTACHMENTS



Auger



Ripper



Bucket



Breaker



Grapple



CAPE TOWN

9 Karee Rd,
Kraaifontein Industria,
Cape Town, 7570



SALES (+27) 21 001 8686



ruan@mcmco.co.za



GEORGE

Jura Lands, Beach Road,
Hansmoeskraal,
George, 6529



SALES (+27) 44 878 2917



chris@mcmco.co.za



FREE STATE

Bloem Showgrounds,
Curie Avenue, Generaal De Wet,
Bloemfontein, 9301



SALES (+27) 84 022 7300



clarence@mcmco.co.za



GAUTENG

26 Sterling Rd, Unit 1,
Samrand Business Park,
Midrand, 0117



SALES (+27) 12 030 3451



sales@mcmco.co.za