

MCM

MCM SD15R

SITE DUMPER

Built for Tough Jobs.



1.5m³
Bucket Capacity



3000kg
Rated Load



42kW
Power



4x4
Traction



www.MCMGROUP.co.za



Instagram : [mcm.company](https://www.instagram.com/mcm.company)



Facebook : [MCM GROUP](https://www.facebook.com/MCMGROUP)

MCM

MCM SD15R SITE DUMPER

Technical Specifications



1.5m³
Bucket Capacity



3000kg
Rated Load



42kW
Power



4x4
Traction



GENERAL

| | |
|---------------------------|------------------------------|
| Bucket Capacity | 1.5m ³ |
| Rated Load | 3000kg |
| Operating Weight | 2850kg |
| Grade ability | 25° |
| Min. Turning Radius | 4000mm |
| Wheel Tread/Wheel Base | 2050mm/1360mm |
| Overall Dimension (L*W*H) | 4250*1700*2650mm with canopy |

ENGINE

| | |
|-------------|---|
| Model | YUNNEI YN27 |
| Type | in line\direct injection\water cooler\4 cylinders |
| Rated Power | 42kW |
| Max Torque | 2400r/min |

TRANSMISSION

| | |
|---------------------|---|
| Gearbox | Gear transmission |
| Clutch | Dry Friction |
| No. of shifts | Forward 2 / back 2 |
| Max Speed | 24km/hr |
| Rear and front axle | 4*4, Front axle fixed, Rear axle swing (+/-110) |

STEERING

| | |
|----------------|--------------------------|
| Type | Hydraulic Steering |
| Steering Angle | 35 Degrees on both sides |

HYDRAULIC

| | |
|------------|--------------------------|
| Pressure | 16MPA |
| Brake Type | Air Brakes (Air Boosted) |

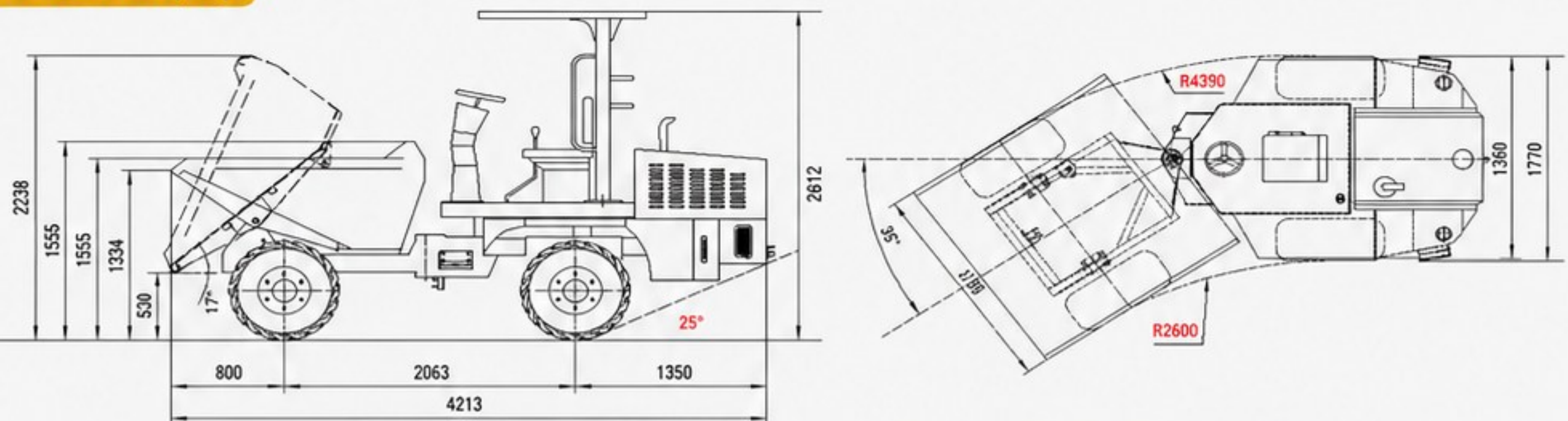
TYRE

| | |
|------|------------------|
| Size | 12-16.5 Tubeless |
|------|------------------|

CAPACITIES

| | |
|--------------------|-----|
| Fuel tank | 58L |
| Hydraulic Oil Tank | 58L |

DIMENSIONS (mm)



www.MCMGROUP.co.za

CAPE TOWN

9 Karee Rd,
Kraaifontein Industria,
Cape Town, 7570
 SALES (+27) 21 001 8686
 ruan@mcmco.co.za

GEORGE

Jura Lands, Beach Road,
Hansmoeskraal,
George, 6529
 SALES (+27) 44 878 2917
 chris@mcmco.co.za

FREE STATE

Bloem Showgrounds,
Curie Avenue,
Generaal De Wet,
Bloemfontein, 9301
 SALES (+27) 84 022 7300
 clarence@mcmco.co.za

GAUTENG

26 Sterling Rd, Unit 1,
Samrand Business Park,
Midrand, 0117
 SALES (+27) 12 030 3451
 sales@mcmco.co.za