

MCM

SD15

SITE DUMPER

BUILT TO MOVE.
BUILT TO PERFORM.



POWERFUL
42kW ENGINE



STRONG & RELIABLE
STRUCTURE



EASY TO OPERATE
MAXIMUM CONTROL



3000kg
RATED LOAD

MCM

TOGETHER, THE FUTURE IS BUILT



SCAN ME

MCM SD15

SITE DUMPER



BUCKET CAPACITY
1.5m³



RATED LOAD
3000kg



OPERATING WEIGHT
2850kg



GRADE ABILITY
25°



MIN. TURNING RADIUS
4000mm



WHEEL TREAD / WHEEL BASE
2050mm / 1360mm



OVERALL DIMENSION (L*W*H)
4250*1700*2650mm
with canopy

SPECIFICATIONS

Bucket Capacity	1.5m ³
Rated Load	3000kg
Operating Weight	2850kg
Grade ability	25°
Min. Turning Radius	4000mm
Wheel Tread/Wheel Base	2050mm/1360mm
Overall Dimension (L*W*H)	4250*1700*2650mm with canopy

ENGINE

Model	YUNNEI YN27
Type	in line\direct injection\ water cooler\4 cylinders
Rated Power	42kW
Max Torque	2400r/min

TRANSMISSION

Gearbox	Gear transmission
Clutch	Dry Friction
No. of shifts	Forward 2 / back 2
Max Speed	24km/hr
Rear and front axle	4x4, Front axle fixed, Rear axle swing (+/-110)

STEERING

Type	Hydraulic Steering
Steering Angle	35 Degrees on both sides

HYDRAULIC

Pressure	16MPA
Brake Type	Air Brakes (Air Boosted)

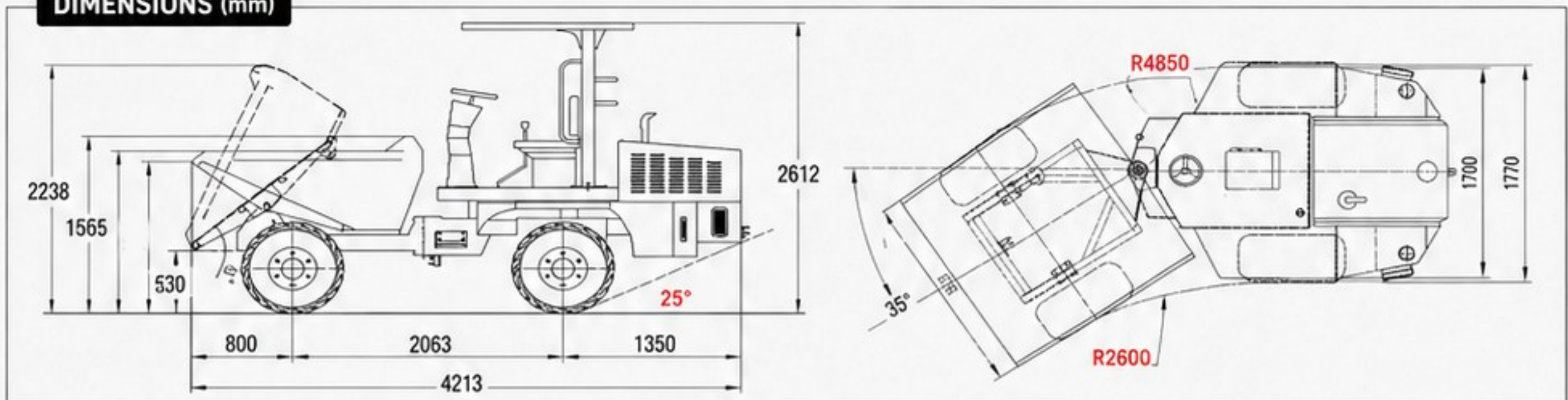
TYRE

Size	12-16.5 Tubeless
------	------------------

FUEL CAPACITY

Fuel tank	58L
Hydraulic Oil Tank	58L

DIMENSIONS (mm)



MCM
TOGETHER WE BUILD MORE

www.MCMGROUP.co.za

CAPE TOWN
9 Karee Rd,
Kraaifontein Industria,
Cape Town, 7570

SALES
(+27) 21 001 8686
ruan@mcmco.co.za

GEORGE
Jura Lands,
Beach Road,
Hansmoeskraal,
George, 6529

SALES
(+27) 44 878 2917
chris@mcmco.co.za

FREE STATE
Bloem Showgrounds,
Curie Avenue,
Generaal De Wet,
Bloemfontein, 9301

SALES
(+27) 84 022 7300
clarence@mcmco.co.za

GAUTENG
26 Sterling Rd, Unit 1,
Samrand Business Park,
Midrand, 0117

SALES
(+27) 12 030 3451
sales@mcmco.co.za