

# MCM

Together, The Future Is Built

# MCM S50 FORKLIFT

//// Built for Reliable Material Handling



SCAN FOR MORE

 @mcm.company

 MCM Group

 www.MCMGROUP.co.za



# TECHNICAL SPECIFICATIONS

## MCM S50 FORKLIFT

//// Built for Reliable Material Handling



### PARAMETERS

Machine	S50
Engine	Xinchai 4D35ZG31 Diesel Engine
Rated Power / r.p.m	60 kW
Rated Torque / r.p.m	300N-m
No. of Cylinders	4
Fuel Tank Capacity	70 L
Transmission	Automatic
Load Capacity	5000 kg
Load Center	500 mm
Wheels (x-driven)	2 x 2

### DIMENSIONS

Max. Fork Height (B)	3000mm
Free Lift	160mm
Fork Size	1220x155x55 mm
Tilt Angle	6°/12°
Length (without Fork) (E)	3248mm
Overall Width	1480mm
Mast Height Fork Lowered (C)	2275mm
Mast Height Fork Raised (A)	4217mm
Overhead Guard Height (G)	2265mm
Min. Right Angle Channel Width	2900mm
Turning Radius	2930mm
Load Distance	1220mm
Front/Rear Overhang	560/588mm

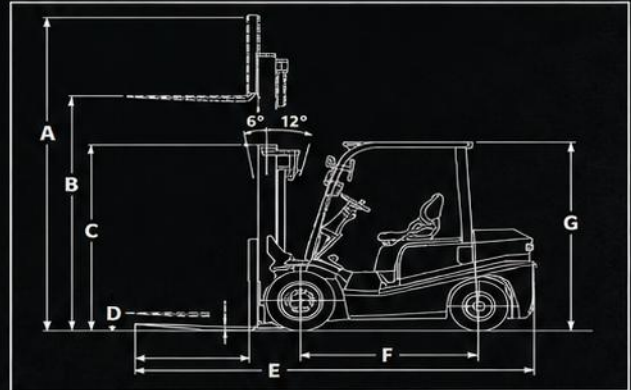
### OTHER

Under our policy of continuous improvement, we reserve the right to change technical data and design without prior notice.

### PERFORMANCE

Total Weight	6200kg	
Tires	Front	300-15
	Rear	700-12
Wheelbase (F)	2100mm	
Overhead Guard Height	2265mm	
Max. Drawbar Pull	3000kg(Full) / 1300kg(No load)	
Max. Gradeability	19% (Full) / 20% (No load)	
Underclearance (D)	175mm	
Brake	Hydraulic Foot Pedal	
Battery	V/AH	24/80

### DIAGRAM



#### CAPE TOWN

9 Karee Rd, Kraaifontein Industria, Cape Town, 7570

SALES (+27) 21 001 8686

ruan@mcmco.co.za

#### GEORGE

Jura Lands, Beach Road, Hansmoeskraal, George, 6529

SALES (+27) 44 878 2917

chris@mcmco.co.za

#### FREE STATE

Bloem Showgrounds, Curie Avenue, Generaal De Wet, Bloemfontein, 9301

SALES (+27) 84 022 7300

clarence@mcmco.co.za

#### GAUTENG

26 Sterling Rd, Unit 1, Samrand Business Park, Midrand, 0117

SALES (+27) 12 030 3451

sales@mcmco.co.za