

MCM

MCM S35 FORKLIFT

Built for Reliable Material Handling



Instagram:
[@mcm.company](https://www.instagram.com/mcm.company)



Facebook:
[MCM Group](https://www.facebook.com/MCMGroup)



Website:
www.MCMGROUP.co.za

MCM

TECHNICAL SPECIFICATIONS

MCM S35 FORKLIFT



HIGH PERFORMANCE
HYDRAULIC CYLINDER



POWERFUL ENGINE



LOW FUEL
CONSUMPTION
& HIGH-IMPACT
PERFORMANCE

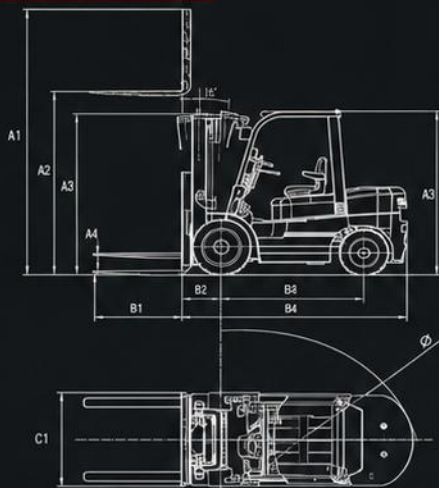


WEAR-RESISTANT
TYRE



ULTRA-HIGH
SECURITY

DIMENSIONS DIAGRAM



A1: Mast Highest (A4)
A2: Mast Height After Fall (A3)
A3: Free Lifting Height (mm)
A4: Lifting Height (mm)
B1: Length without fork (B4)
B2: Overall Width (C1)
B3: Wheel Base (B2)
B4: Length with fork (B4)
C1: Overall Height (A5)
Ø: Turning Radius (C2)

3.5t 2 STAGE MAST

Mast Height (mm)	Carrying Capacity* Load Center 500mm(kg)	Mast Height After Fall (mm)	Free Lifting Height (mm)	Full Mast Height (mm)	Mast Tilting Angle (α/β)	Total Weight (kg)
2000	3800	1580	135	3400	6-12°	4585
2500	3800	1980	135	3600	6-12°	4800
3000	3800	2180	135	4100	6-12°	4972
3300	3500	2330	135	4400	6-12°	4875
3500	3500	2430	135	4600	6-12°	4700
3700	3800	2430	135	4600	6-12°	4720
4000	3700/3500	2730	135	5100	6-6°	4775
4250	2810/2700	2885	135	5350	6-6°	4885
4500	2800/3000	2980	135	5600	6-6°	4835
5000	2100/2850	3710	135	6100	3-6°	4880
5500	*2600	3510	135	6000	3-6°	4900
6000	*2000	3780	135	7100	3-6°	4975

Note: (*) indicates the rated load capacity at double tires on the front wheel
(*) The self-weight in the table is the weight of double tires +110kg

S35 3.5 TON PERFORMANCE PARAMETERS

General		Mode	S35		
1	Rated Load Capacity	kg	3500		
2	Load Center	mm	500		
3	Lifting Height (A2)	mm	3000		
4	Free Lifting Height (A3)	mm	135		
5	Fork Size (B1)	LxWxT	1220X125X50		
6	Mast Tilt Angle (α/β)	°	6/12		
7	Length(without fork) (B4)	mm	2765		
8	Overall Width (C1)	mm	1225		
9	Mast Height After Mast Fall (A3)	mm	2180		
10	Lift Height (A4)	mm	4100		
11	Overhead Guard Height (A5)	mm	2150		
12	Turning Radius (C2)	mm	2650		
13	Front Overhang (B2)	mm	485		
14	Min.Right Angle Channel Width	mm	2545		
15	Wheelbase (B3)	mm	1760		
16	Tread	Front Rear	mm mm	1000 970	
17	Ground Clearance	Mast Car Center	mm mm	130 200	
19	Travel	Full Load	km/h	18	
20		No Load	km/h	19.5	
21	Lifting	Full Load	mm/s	330	
22		No Load	mm/s	370	
23	Lowering	Full Load	mm/s	400	
24		No Load	mm/s	350	
26	Max.Drawbar Pull	Full/No Load	kg	1880/1250	
27	Max.Gradeability	Full/No Load	%	15/18	
28	Tire	Front Tire	28x9-15		
29		Rear Tire	650-10		
30	Total Weight		kg	4860	
31	Battery	Voltage/Capacity	V/AH	12/60	
32	Power & Transmission	Model	Xinchai 4D27G31	QC-C490	
33		Engine	Rated Power/Speed	kW/rpm	36.8/2500
34			Max.Torque/Speed	N.m/rpm	157/1800
36	Work Pressure		Mpa	17.5	



CAPE TOWN

9 Karee Rd, Kraaifontein Industria,
Cape Town, 7570



SALES (+27) 21 001 8686

ruan@mcmco.co.za



GEORGE

Jura Lands, Beach Road,
Hansmoeskraal, George, 6529



SALES (+27) 44 878 2917

chris@mcmco.co.za



FREE STATE

Bloem Showgrounds, Curie Avenue,
Generaal De Wet, Bloemfontein, 9301



SALES (+27) 84 022 7300

clarence@mcmco.co.za



GAUTENG

26 Sterling Rd, Unit 1,
Samrand Business Park, Midrand, 0117



SALES (+27) 12 030 3451

sales@mcmco.co.za



www.MCMGROUP.co.za