

**MCM**

# MCM S30 FORKLIFT

*Built for Reliable Material Handling*



Instagram:  
[@mcm.company](https://www.instagram.com/mcm.company)



Facebook:  
[MCM Group](https://www.facebook.com/MCMGroup)



Website:  
[www.MCMGROUP.co.za](http://www.MCMGROUP.co.za)



# TECHNICAL SPECIFICATIONS



## 1. PARAMETERS

Machine	S30
Engine	Xinchai 4D27G31 Diesel Engine
Rated Power / r.p.m	36.8 kW
Rated Torque / r.p.m	157N-m
No. of Cylinders	4
Fuel Tank Capacity	70 L
Transmission	Power-shift
Load Capacity	3000 kg
Load Center	500 mm
Wheels (×driven)	2 x 2



## 2. DIMENSIONS

Max. Fork Height (B)	3000mm
Free Lift	145mm
Fork Size	1070x122x45 mm
Fork Spread	1090mm
Tilt Angle	6°/12°
Length to Fork Face (E)	2705mm
Overall Width	1225mm
Mast Height Fork Lowered (C)	2075mm
Mast Height Fork Raised (A)	4250mm
Overhead Guard Height (G)	2090mm
Operator's Seat Height	1070mm
Min. Turning Radius	2400mm
Load Distance	480mm
Rear Overhang	525mm



## 3. OTHER

Under our policy of continuous improvement, we reserve the right to change technical data and design without prior notice.

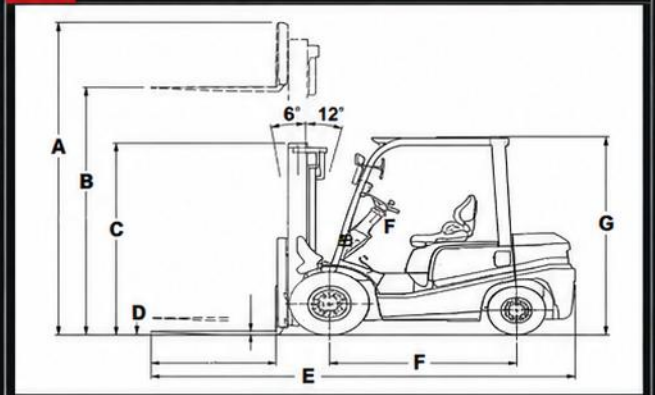


## 4. PERFORMANCE

Total Weight	4230kg	
Tires	Front	28x9-15
	Rear	6.50-10
Wheelbase (F)	1700mm	
Tread	Front	1000mm
	Rear	970mm
Overhead Guard Clearance	1005mm	
Counterweight Height	1130mm	
Underclearance (D)	140mm	
Brake	Hydraulic Foot Pedal	
Battery	V/AH	12/64



## 5. DIAGRAM



[www.MCMGROUP.co.za](http://www.MCMGROUP.co.za)

### CAPE TOWN

9 Karee Rd, Kraaifontein  
Industria, Cape Town, 7570

SALES (+27) 21 001 8686

ruan@mcmco.co.za

### GEORGE

Jura Lands, Beach Road,  
Hansmoeskraal, George, 6529

SALES (+27) 44 878 2917

chris@mcmco.co.za

### FREE STATE

Bloem Showgrounds, Curie Avenue,  
Generaal De Wet, Bloemfontein, 9301

SALES (+27) 84 022 7300

clarence@mcmco.co.za

### GAUTENG

26 Sterling Rd, Unit 1,  
Samrand Business Park,  
Midrand, 0117

SALES (+27) 12 030 3451

sales@mcmco.co.za