

MCM

Together, The Future Is Built

MCM S25 FORKLIFT

Built for Reliable Material Handling



Instagram:
[@mcm.company](https://www.instagram.com/mcm.company)



Facebook:
[MCM Group](https://www.facebook.com/MCMGroup)



Website:
www.MCMGROUP.co.za

TECHNICAL SPECIFICATIONS



■ Parameters

Machine	S25
Engine	Xinchai - Diesel Automatic Transmission
Rated Power / r.p.m	36.8 kW
Rated Torque / r.p.m	157N-m
No. of Cylinders	4
Fuel Tank Capacity	60 L
Transmission	Automatic
Load Capacity	2500 kg
Load Center	500 mm
Wheels (x-driven)	2 x 2

■ Dimensions

Max. Lifting Height	3000-4500mm
Free Lift	120mm
Fork Size	1070 x 122 x 40 mm
Fork Spread	1070mm
Tilt Angle	6°/12°
Length to Fork Face	2540mm
Overall Width	1164mm
Mast Height Fork Lowered	2000mm
Mast Height Fork Raised	4000mm
Overhead Guard Height	2140mm
Operator's Seat Height	1050mm
Min. Turning Radius	2230mm
Front Overhang	455mm

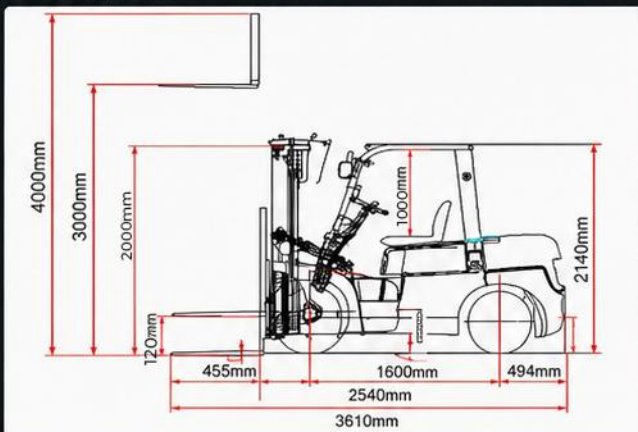
■ Other

Under our policy of continuous improvement, we reserve the right to change technical data and design without prior notice.

■ Performance

Speeds	Max. Travel	17km/h
	Lifting	530/550mm/sec
	Lowering	450/550mm/sec
Max. Drawbar Pull	Full Load	2000kN
	No Load	1500kN
Max. Gradeability	Full Load	20%
	No Load	22%
Operating Weight		3680kg
Tyres Size	Front	7.00-12-12PR
	Rear	6.00-9-10PR
Wheelbase		1600mm
Tread	Front	970mm
	Rear	970mm
Overhead Guard Clearance		115mm
Counterweight Height		140mm
Underclearance		170mm
Brake		Hydraulic
Battery		12/80 V/AH

■ Diagram



www.MCMGROUP.co.za

📍 CAPE TOWN

9 Karee Rd, Kraaifontein
Industria, Cape Town, 7570

SALES (+27) 21 001 8686
ruan@mcmco.co.za

📍 GEORGE

Jura Lands, Beach Road,
Hansmoeskraal, George, 6529

SALES (+27) 44 878 2917
chris@mcmco.co.za

📍 FREE STATE

Bloem Showgrounds, Curie
Avenue, Generaal De Wet,
Bloemfontein, 9301

SALES (+27) 84 022 7300
clarence@mcmco.co.za

📍 GAUTENG

26 Sterling Rd, Unit 1,
Samrand Business Park,
Midrand, 0117

SALES (+27) 12 030 3451
sales@mcmco.co.za