

MCM

MCM RTL300Q ROUGH TERRAIN FORKLIFT

Built for Demanding Terrain and Material Handling.



SUPERIOR TRACTION

Conquer uneven and challenging terrains.



POWERFUL PERFORMANCE

High lifting capacity with reliable power and stability.



BUILT TO LAST

Heavy-duty components engineered for durability and uptime.



SCAN FOR MORE

 @mcm.company

 MCM Group

 www.MCMGROUP.co.za



TECHNICAL SPECIFICATIONS

MCM RTL30Q ROUGH TERRAIN FORKLIFT



PARAMETERS

Machine	RTL30Q
Engine	Yunnei YN27
Rated Power / r.p.m	42 kW
Rated Torque / r.p.m	202 Nm
No. of Cylinders	4
Fuel Tank Capacity	60L
Transmission	Automatic
Load Capacity	3000kg
Load Center	500mm
Wheels (x-driven)	4

DIMENSIONS

Max. Lifting Height (STND.)	4500mm
Free Lift	128mm
Fork Size	1070 x 122 x 45mm
Fork Spread	1280mm
Tilt Angle	6° / 6°
Length to Fork Face	3800mm
Overall Width	1800mm
Mast Height Fork Lowered	2275mm
Mast Height Fork Raised	5600mm
Overhead Guard Height	2170mm
Operator's Seat Height	1000mm
Min. Turning Radius	4050mm
Load Distance	1070mm
Rear Overhang	610mm

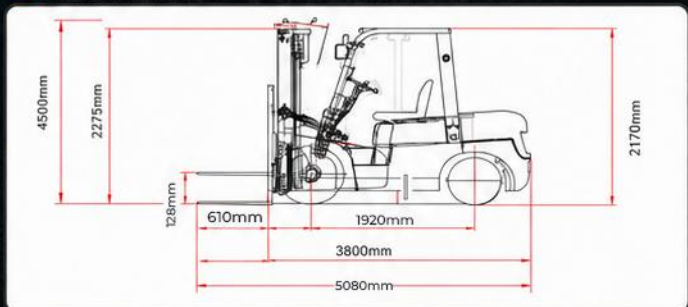
OTHER

Under our policy of continuous improvement, we reserve the right to change technical data and design without prior notice.

PERFORMANCE

Speeds	Max. Travel	17km/h
	Lifting	530/550mm/sec
	Lowering	450/550mm/sec
Max. Drawbar Pull	Full Load	2000kN
	No Load	1500kN
Max. Gradeability	Full Load	20%
	No Load	22%
Operating Weight		3680kg
Tyres Size	Front	880/270-20/8.50
	Rear	880/270-20/8.50
Wheelbase		1600mm
Tread	Front	970mm
	Rear	970mm
Overhead Guard Clearance		115mm
Counterweight Height		140mm
Underclearance		170mm
Brake		Hydraulic
Battery		12/80 V/AH

DIAGRAM



CAPE TOWN

9 Karee Rd, Kraaifontein Industria, Cape Town, 7570

SALES (+27) 21 001 8686
ruan@mcmco.co.za

GEORGE

Jura Lands, Beach Road, Hansmoeskraal, George, 6529

SALES (+27) 44 878 2917
chris@mcmco.co.za

FREE STATE

Bloem Showgrounds, Curie Avenue, Generaal De Wet, Bloemfontein, 9301

SALES (+27) 84 022 7300
clarence@mcmco.co.za

GAUTENG

26 Sterling Rd, Unit 1, Samrand Business Park, Midrand, 0117

SALES (+27) 12 030 3451
sales@mcmco.co.za

www.MCMGROUP.co.za



@mcm.company



MCM Group



www.MCMGROUP.co.za