

# MCM

# MCM MS33

— MINI SKID STEER —



**COMPACT. CAPABLE. BUILT TO WORK.**



**25HP**  
Kubota Engine



**300kg**  
Rated Load



**67.2L/min**  
Hydraulic Flow



Website:  
[www.MCMGROUP.co.za](http://www.MCMGROUP.co.za)



Facebook:  
**MCM GROUP**



Instagram:  
**@mcm.company**



### ENGINE

Machine	MS33
Model	Kubota D1105-EF02
Net Peak Power	18.8KW/25HP
Rated speed	3000rpm
No. of Cylinders	3
Noise	≤95 Db
Hydraulic High-Flow	67.2L/min



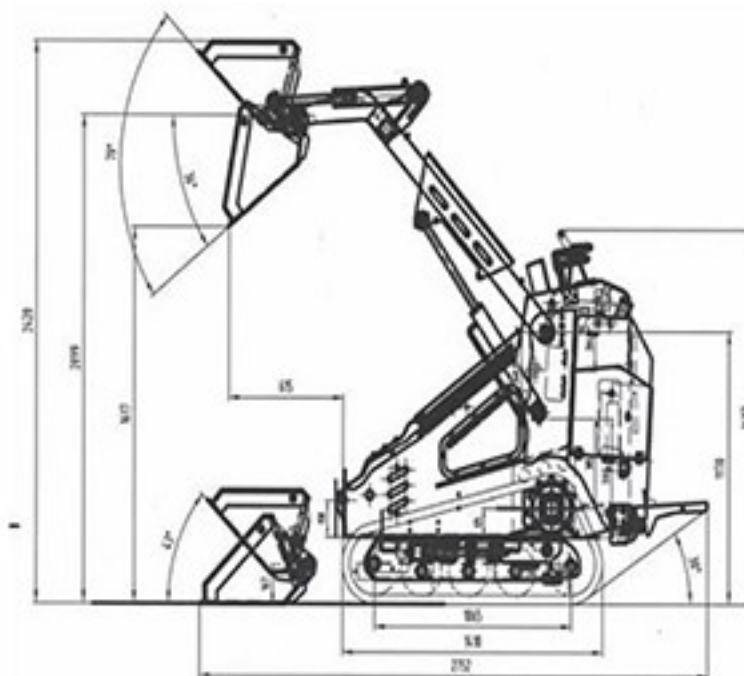
### PERFORMANCE

Rated Loading Capacity	300kg
Max. Rated Loading Capacity	1258kg
Bucket Capacity	0.14 m <sup>3</sup>
Speed	0-8Km/h
Bucket Width	1140mm
Hydraulic pressure	20Mpa
Power type	Diesel
Cycle Time (Raise)	3.89s
Cycle Time (Dump)	1.6s
Cycle Time (Lower)	3.35s



### OPERATION DIMENSIONS

Overall Operating Height	1607mm
Overall Operating Width	1033mm
Overall Length Without Bucket	2200mm
Overall Length With Bucket	2752mm
Dumping Height	1617mm
Pin Height	2099mm
Ground Clearance	300mm
Wheel base	1065mm
Turning Radius	2198mm
Bucket Unloading Angle	36°
Opening-closing Angle	43°



Website:  
[www.MCMGROUP.co.za](http://www.MCMGROUP.co.za)

#### CAPE TOWN

9 Karee Rd,  
Kraaifontein Industria,  
Cape Town, 7570

SALES (+27) 21 001 8686  
[ruan@mcmco.co.za](mailto:ruan@mcmco.co.za)

#### GEORGE

Jura Lands, Beach Road,  
Hansmoeskraal,  
George, 6529

SALES (+27) 44 878 2917  
[chris@mcmco.co.za](mailto:chris@mcmco.co.za)

#### FREE STATE

Bloem Showgrounds,  
Curie Avenue,  
Generaal De Wet,  
Bloemfontein, 9301

SALES (+27) 84 022 7300  
[clarence@mcmco.co.za](mailto:clarence@mcmco.co.za)

#### GAUTENG

26 Sterling Rd, Unit 1,  
Samrand Business Park,  
Midrand, 0117

SALES (+27) 12 030 3451  
[sales@mcmco.co.za](mailto:sales@mcmco.co.za)