

# MCM

# MCM MS30

## MINI SKID STEER

*Compact. Reliable. Built to Perform.*



Website:  
[www.MCMGROUP.co.za](http://www.MCMGROUP.co.za)



Facebook:  
MCM GROUP



Instagram:  
@mcm.company

# MCM

# MCM MS30

## MINI SKID STEER



### TECHNICAL SPECIFICATIONS

#### ENGINE

Machine	MS30
Model	Yanmar 3TNV82A
Type	Direct Injection, Water Cooled
No. of Cylinders	Diesel 3-cylinder Engine
Net Peak Power	22.2kW (30HP) @ 3000rpm
Fuel Tank Capacity	35 Litres

#### TRANSMISSION SYSTEM

Travel Speed	km/h	5.6
Max. Torque	Nm @ RPM	85.3 @ 1440
Transfer Case	2WD	
Main Drive	Fully Hydraulic Rubber Track	

#### OPERATION DIMENSIONS

Total Travel Length	mm	2600
Total Travel Height	mm	1257
Total Travel Width	mm	1050
Wheel Base	mm	955
Bucket Width	mm	1250
Ground Clearance	mm	140

#### ATTACHMENTS

Augers	Breakers	Buckets	Chippers	Dozers
Forks	Grapples	Mixers	Trenchers	And More

#### OTHER

Under our policy of continuous improvement, we reserve the right to change technical data and design without prior notice.

Visit our website or contact us for more information.

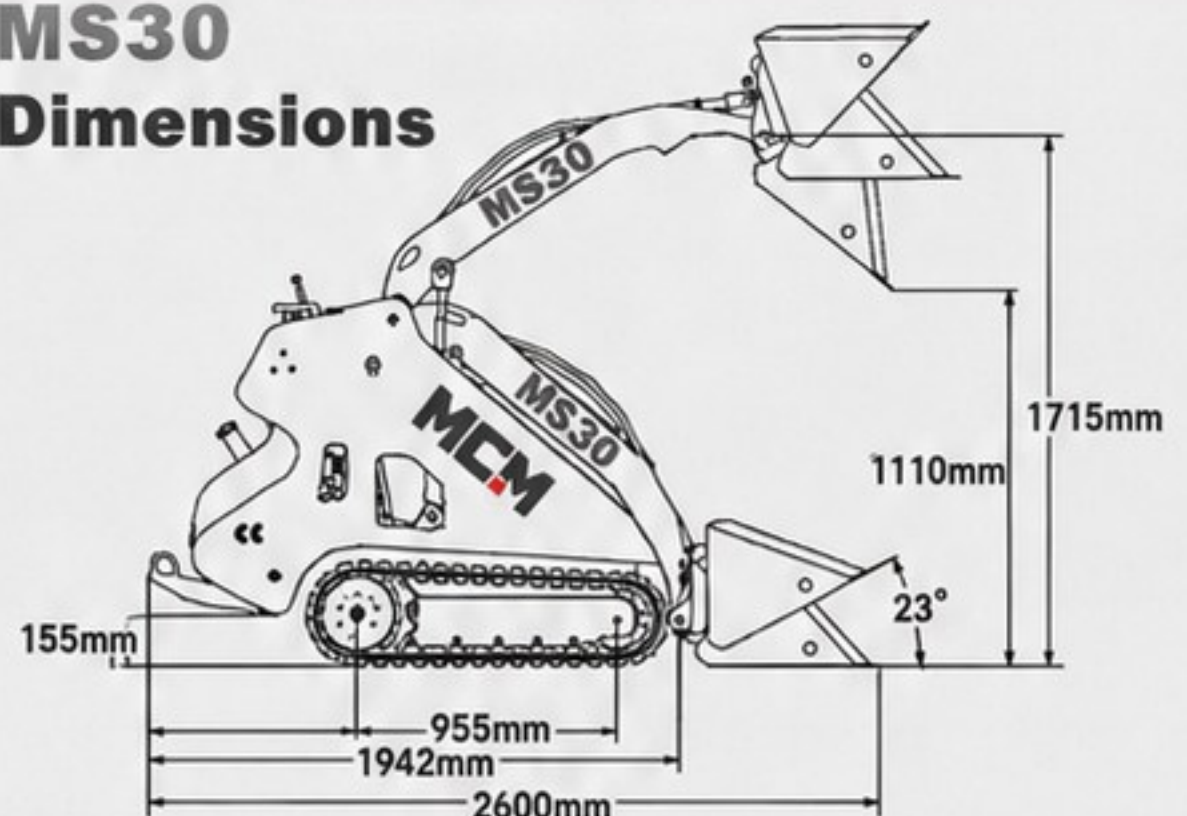
+27(0)79 667 7874 or +27(0)82 058 4434 or [mcmco.za@gmail.com](mailto:mcmco.za@gmail.com)

#### OPERATION PARAMETERS

Operating Weight (no attachment)	kg	1140
Rated Load	kg	640
Fuel Consumption	l/h	6.0
Max. Dumping Height	mm	1270
Max. Working Height	mm	2656
Min. Dumping Distance	mm	750
Max. Dumping Angle	degrees	36
Drive System Pressure	kPa	23.3
Hydraulic Cylinders	Double-acting	
Hydraulic Flow Rate	L/min	53.4
System Relief at Quick Couplers	Bar	210
Min. Turning Radius	mm	1610
Hydraulic Valve	Italy H.C	
Walking Pump	Hansa TMP	
Wheel Motor	Eaton	

#### DIAGRAM

### MS30 Dimensions



[www.MCMGROUP.co.za](http://www.MCMGROUP.co.za)

#### CAPE TOWN

9 Karee Rd, Kraaifontein Industria, Cape Town, 7570

SALES (+27) 21 001 8686

[ruan@mcmco.co.za](mailto:ruan@mcmco.co.za)

#### GEORGE

Jura Lands, Beach Road, Hansmoeskraal, George, 6529

SALES (+27) 44 878 2917

[chris@mcmco.co.za](mailto:chris@mcmco.co.za)

#### FREE STATE

Bloem Showgrounds, Curie Avenue, Generaal De Wet, Bloemfontein, 9301

SALES (+27) 84 022 7300

[clarence@mcmco.co.za](mailto:clarence@mcmco.co.za)

#### GAUTENG

26 Sterling Rd, Unit 1, Samrand Business Park, Midrand, 0117

SALES (+27) 12 030 3451

[sales@mcmco.co.za](mailto:sales@mcmco.co.za)