

# MCM

# MCM MS23W

## MINI SKID STEER

*Compact. Reliable. Built to Perform.*



**TOGETHER, THE FUTURE IS BUILT**



Website:  
[www.MCMGROUP.co.za](http://www.MCMGROUP.co.za)



Facebook:  
MCM GROUP



Instagram:  
@mcm.company

# MCM

## MCM MS23W

### MINI SKID STEER



### TECHNICAL SPECIFICATIONS

#### ENGINE

Machine	Vanguard
Model	V-Twin Horizontal
Type	Air-cooled
No. of Cylinders	Vanguard V-twin 2 cylinders
Net Peak Power	23hp
Fuel Tank Capacity	23L

#### TRANSMISSION SYSTEM

Travel Speed	0-6.8km/h
Main Drive	4 x Hydraulic Motors drive directly

#### OPERATION DIMENSIONS

Total Travel Length	1810mm
Total Travel Height	1370mm
Total Travel Width	1160mm
Wheel Base	710mm
Bucket Width	1160mm
Ground Clearance	140mm

#### ATTACHMENTS

Augers	Breakers	Buckets	Chippers	Dozers
Forks	Grapples	Mixers	Trenchers	And More

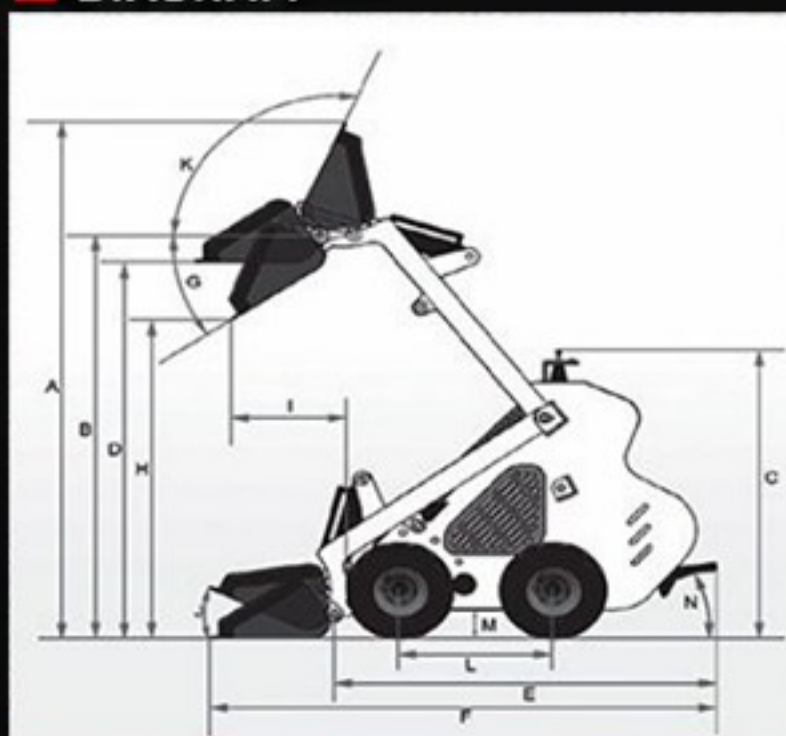
#### OTHER

Under our policy of continuous improvement, we reserve the right to change technical data and design without prior notice.

#### OPERATION PARAMETERS

Operating Weight (no attachments)	770kg
Rated Load	350kg
Fuel Consumption	<3.5L/h
Max. Dumping Height	1515mm
Max. Working Height	2452mm
Min. Dumping Distance	545mm
Max. Dumping Angle	33.7°
Drive System Pressure	18Mpa
Hydraulic Cylinders	Two lifting cylinders, One tilting cylinder
Hydraulic Flow Rate	53L/m
System Relief at Quick Couplers	Flat-face coupler
Min. Turning Radius	1026mm
Hydraulic Valve	HC control Italy
Walking Pump	Gear pump
Wheel Motor	Danfoss Hydraulic motor

#### DIAGRAM



A	2452mm
B	1914mm
C	1370mm
D	1790mm
E	1740mm
F	2170mm
G	33.7°
H	1515mm
I	545mm
J	26mm
K	114°
L	657mm
M	140mm
N	23°

[www.MCMGROUP.co.za](http://www.MCMGROUP.co.za)

#### CAPE TOWN

9 Karee Rd, Kraaifontein Industria,  
Cape Town, 7570

SALES (+27) 21 001 8686

ruan@mcmco.co.za

#### GEORGE

Jura Lands, Beach Road,  
Hansmoeskraal, George, 6529

SALES (+27) 44 878 2917

chris@mcmco.co.za

#### FREE STATE

Bloem Showgrounds, Curie Avenue,  
Generaal De Wet, Bloemfontein, 9301

SALES (+27) 84 022 7300

clarence@mcmco.co.za

#### GAUTENG

26 Sterling Rd, Unit 1,  
Samrand Business Park, Midrand, 0117

SALES (+27) 12 030 3451

sales@mcmco.co.za