

MCM

MCM MS10W

MINI SKID STEER

TOGETHER, THE FUTURE IS BUILT



Website:
www.MCMGROUP.co.za



Facebook:
MCM GROUP



Instagram:
@mcm.company

MCM MS10W

MINI SKID STEER



TECHNICAL SPECIFICATIONS

ENGINE

Machine	MS10W Briggs&Stratton
Model	XR2100
Type	Gasoline
No. of Cylinders	1 Cylinder overhead OTV
Net Peak Power	13.5HP
Fuel Tank Capacity	10L

TRANSMISSION SYSTEM

Travel Speed	0-7.6km/h
Main Drive	4x Hydraulic Motor drive directly

OPERATION DIMENSIONS

Total Travel Length	1800mm
Total Travel Height	1370mm
Total Travel Width	750mm
Wheel Base	690mm
Bucket Width	750mm
Ground Clearance	140mm

ATTACHMENTS

Augers	Breakers	Buckets	Chippers	Dozers
Forks	Grapples	Mixers	Trenchers	And More

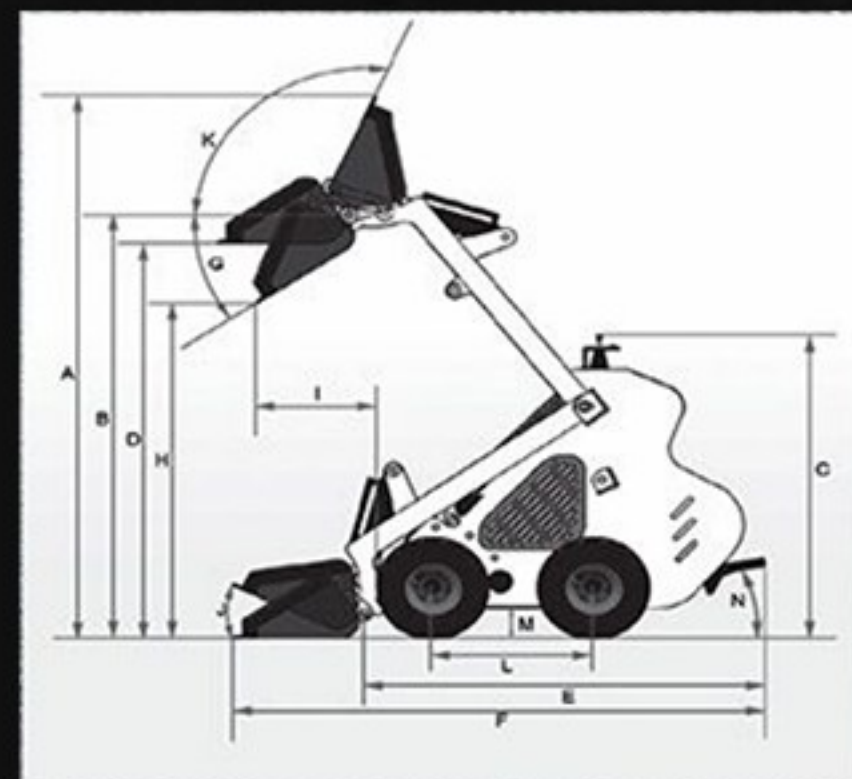
OTHER

Under our policy of continuous improvement, we reserve the right to change technical data and design without prior notice.

OPERATION PARAMETERS

Operating Weight (no attachments)	660kg
Rated Load	100kg
Fuel Consumption	<3L/h
Max. Dumping Height	1515mm
Max. Working Height	2452mm
Min. Dumping Distance	545mm
Max. Dumping Angle	33.7°
Drive System Pressure	18Mpa
Hydraulic Cylinders	Two lifting cylinder, one tilting cylinder
Hydraulic Flow Rate	53L/m
System Relief at Quick Couplers	Flat-face coupler
Min. Turning Radius	1026mm
Hydraulic Valve	HC control Italy
Walking Pump	Gear pump
Wheel Motor	Danfoss Hydraulic motor

DIAGRAM



A	2452mm
B	1914mm
C	1370mm
D	1790mm
E	1740mm
F	2170mm
G	33.7°
H	1515mm
I	612mm
J	26°
K	114°
L	720mm
M	92mm
N	25°

www.MCMGROUP.co.za

CAPE TOWN

9 Karee Rd, Kraaifontein Industria,
Cape Town, 7570

SALES (+27) 21 001 8686

ruan@mcmco.co.za

GEORGE

Jura Lands, Beach Road,
Hansmoeskraal, George, 6529

SALES (+27) 44 878 2917

chris@mcmco.co.za

FREE STATE

Bloem Showgrounds, Curie Avenue,
Generaal De Wet, Bloemfontein, 9301

SALES (+27) 84 022 7300

clarence@mcmco.co.za

GAUTENG

26 Sterling Rd, Unit 1,
Samrand Business Park, Midrand, 0117

SALES (+27) 12 030 3451

sales@mcmco.co.za