


MCM

MCM 918

FRONT END LOADER



Together, The Future Is Built

 @mcm.company

 MCM Group

 www.MCMGROUP.co.za

MCM 918 FRONT END LOADER

ENGINE

Machine	918
Model	Yunnei YN33GBZ
Net Peak Power	65kW
Type	Water-cooling, Turbo
No. of Cylinders	4
Fuel Tank Capacity	36L

OPERATION PARAMETERS

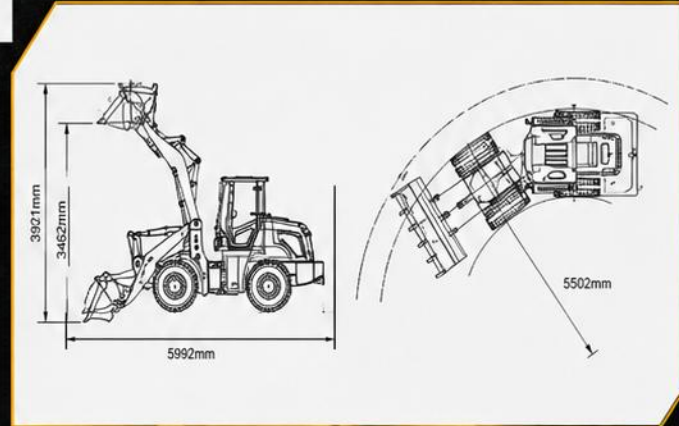
Operating Weight	5225kg
Rated Load	1600-1800kg
Bucket Capacity	0.8m ³
Max. Dumping Height	3462mm
Max. Working Height	3921mm
Min. Dumping Distance	680mm
Min. Dumping Angle	34°
Max. Breakout Force	45kN
Hydraulic Flow Rate	63L/min
System Pressure	16Mpa
Min. Turning Radius	5502mm
Min. Ground Clearance	305mm

TRANSMISSION SYSTEM

Type	Hydraulic Pilot
Gears Forward/Reverse	Forward*4 / Rear*4
Travel Speed	20km/h
Max Torque	302Nm
Transfer Case	265A
Brake Control	Air Brake

OPERATION DIMENSIONS

Total Travel Length	5992mm
Total Travel Height	2903mm
Total Travel Width	1962mm
Wheel Track	1560mm
Bucket Width	2000mm
Rear Trail Width	1962mm



www.MCMGROUP.co.za



CAPE TOWN

9 Karee Rd,
Kraaifontein Industria,
Cape Town, 7570

SALES (+27) 21 001 8686
ruan@mcmco.co.za



GEORGE

Jura Lands, Beach Road,
Hansmoeskraal,
George, 6529

SALES (+27) 44 878 2917
chris@mcmco.co.za



FREE STATE

Bloem Showgrounds,
Curie Avenue, Generaal De Wet,
Bloemfontein, 9301

SALES (+27) 84 022 7300
clarence@mcmco.co.za



GAUTENG

26 Sterling Rd, Unit 1,
Samrand Business Park,
Midrand, 0117

SALES (+27) 12 030 3451
sales@mcmco.co.za