

MB-PT1150 DEMOLITION PULVERIZER

Power. Precision.
Demolition Redefined.



BUILT TOUGH
Engineered for the
harshest conditions.



360° ROTATION
Maximum flexibility.
Total control.



**MAXIMUM
PERFORMANCE**
Unmatched power.
Ultimate productivity.



PROUDLY DISTRIBUTED BY

MCM



Website:
www.MCMGROUP.co.za



Facebook:
MCM Group



Instagram:
[@mcm.company](https://www.instagram.com/mcm.company)

DEMOLITION PULVERIZER

MB-PT1150

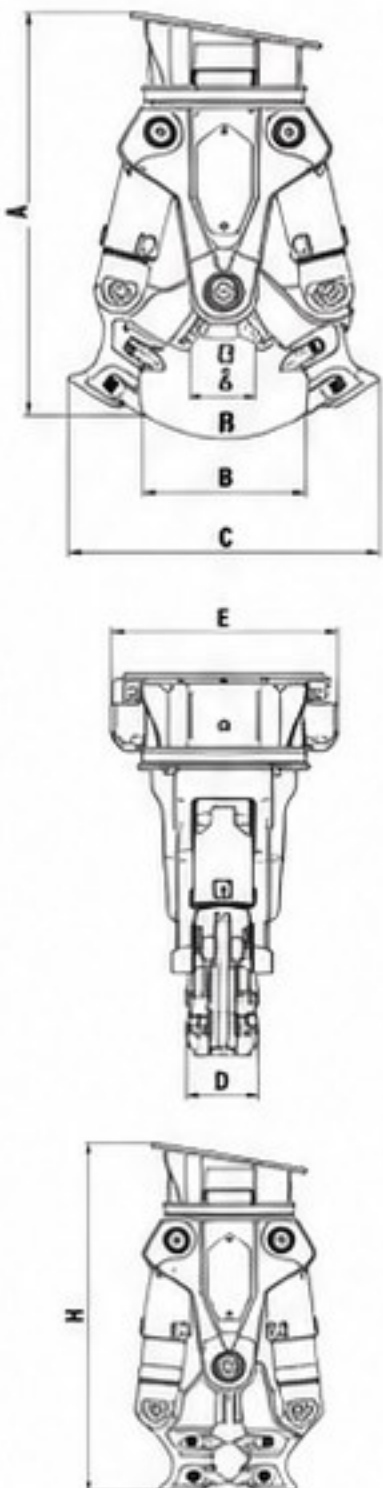


BUILT TO PERFORM

SPECIFICATIONS

	Recommended excavator	ton	12 - 19
	Main frame weight	ton	0.845
	Speed/Min. (minimum - maximum)	rpm	20 - 25
	Rotation	Degree	360°
	Oil pressure (rotation)	bar	180-220
	Oil flow rate (rotation)	l/min	30-40
	Oil pressure (opening - closing)	bar	250-350
	Oil flow rate (opening - closing)	l/min	70-100

JAW KIT



Crusher Kit



Pulverizer Kit



Shear Kit

Weight	0.27 ton	0.35 ton	0.26 ton
Total weight (with Main frame)	1.12 ton	1.2 ton	1.11 ton
Size A	1220 mm	1050 mm	1010 mm
Size B	850 mm	850 mm	850 mm
Size C	1650 mm	1590 mm	1660 mm
Size D	270 mm	380 mm	210 mm
Size E	640 mm	530 mm	315 mm
Size H	635 mm	585 mm	485 mm
Pick force F1	65 ton	65 ton	75 ton
Blade force F2	165 ton	165 ton	180 ton
Ø Maximum Rebar	40 mm	40 mm	-

OPTIONAL ACCESSORIES

12 V Electrical Kit (for 2 hose functionality)

24 Month Warranty

APPLICATION AREAS



Demolitions

PROUDLY DISTRIBUTED BY **MCM**

MCM



WEBSITE:
www.MCMGROUP.co.za

CAPE TOWN:
9 Karee Rd, Kraaifontein
Industria, Cape Town, 7570

SALES (+27) 21 001 8686
ruan@mcmco.co.za

GEORGE:
Jura Lands, Beach Road,
Hansmoeskraal, George, 6529

SALES (+27) 44 878 2917
chris@mcmco.co.za

FREE STATE:
Bloem Showgrounds, Curie Avenue,
Generaal De Wet, Bloemfontein, 9301

SALES (+27) 84 022 7300
clarence@mcmco.co.za

GAUTENG:
26 Sterling Rd, Unit 1,
Samrand Business Park, Midrand, 0117

SALES (+27) 12 030 3451
sales@mcmco.co.za