

CRUSHER BUCKET

MB
THE CRUSHING EVOLUTION

MB-L140 S2 **BUCKET CRUSHER**

Powerful. Compact. Built to Perform.

★ ★ ★
PROUDLY
DISTRIBUTED BY

MCM
★ ★ ★



MAXIMUM PERFORMANCE

Crushes concrete, stone,
and rubble directly on-site.



COMPACT & VERSATILE

Ideal for tight spaces and
a wide range of machines.



BUILT TO LAST

Engineered for durability,
reliability, and low maintenance.

SCAN HERE



MCM



www.MCMGROUP.co.za



MCM Group



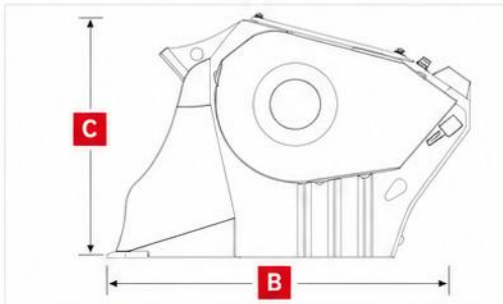
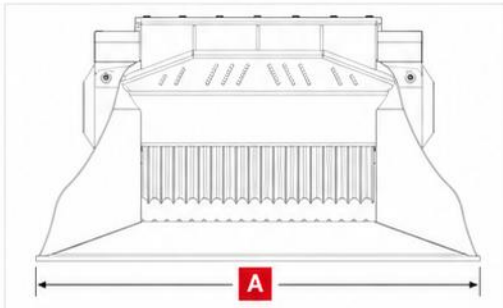
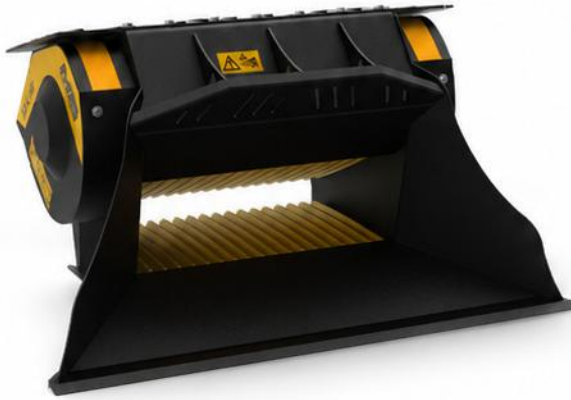
@mcm.company

MB-L140 S2

BUCKET CRUSHER



PROUDLY DISTRIBUTED BY MCM



SPECIFICATIONS

	Recommended excavator	ton	7,5 - 13
	Recommended backhoe loader	ton	5 - 10
	Recommended skid steer loader*	ton	3 - 6
	Weight	ton	0,98
	Load capacity	m ³	0,2
	Pressure	bar	200 - 250
	Back pressure	bar	< 10
	Oil flow rate**	l/min	98 - 150
	Crusher mouth width	mm	800
	Crusher mouth height	mm	250
	Size A	mm	1530
	Size B	mm	1230
	Size C	mm	800

* Please verify machine's Rated Operating Capacity.

** The minimum hydraulic flow rate value must be alongside the required operating pressure.

OPTIONAL ACCESSORIES



Dust suppression kit



Hour meter



24 Month Warranty

APPLICATION AREAS



Demolitions



Road works



Inert material
recycling



Urban construction
sites

www.MCMGROUP.co.za

CAPE TOWN
9 Karee Rd,
Kraaifontein Industria,
Cape Town, 7570

SALES
(+27) 21 001 8686
 ruan@mcmco.co.za

GEORGE
Jura Lands, Beach Road,
Hansmoeskraal,
George, 6529

SALES
(+27) 44 878 2917
 chris@mcmco.co.za

FREE STATE
Bloem Showgrounds,
Curie Avenue, Generaal De Wet,
Bloemfontein, 9301

SALES
(+27) 84 022 7300
 clarence@mcmco.co.za

GAUTENG
26 Sterling Rd, Unit 1,
Samrand Business Park,
Midrand, 0117

SALES
(+27) 12 030 3451
 sales@mcmco.co.za