

CRUSHER BUCKET



MB-L120 S2 BUCKET CRUSHER

Powerful. Compact. Built to Perform.



PROUDLY DISTRIBUTED BY
MCM
TOGETHER, THE FUTURE IS BUILT



www.MCMGROUP.co.za



Facebook: MCM Group

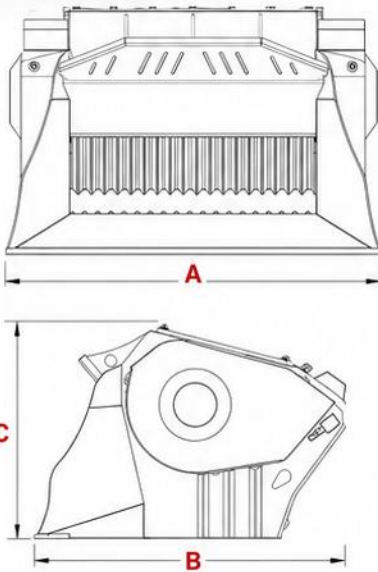


Instagram: @mcm.company

MB-L120 S2

BUCKET CRUSHER

PROUDLY DISTRIBUTED BY **MCM**



SPECIFICATIONS

Recommended excavator	ton	7,5 - 12
Recommended backhoe loader	ton	5 - 9
Recommended skid steer loader*	ton	3 - 6
Weight	ton	0,95
Load capacity	m ³	0,19
Pressure	bar	200 - 250
Back pressure	bar	< 10
Oil flow rate**	l/min	95 - 120
Crusher mouth width	mm	730
Crusher mouth height	mm	250
Size A	mm	1230
Size B	mm	1230
Size C	mm	800

* Please verify machine's rated operating capacity.

** The minimum hydraulic flow rate value must be alongside the required operating pressure.

OPTIONAL ACCESSORIES



Dust suppression kit



Hour meter



24 Month Warranty

APPLICATION AREAS



Demolitions



Road works



Inert material
recycling



Urban construction
sites



MCM



WWW.MCMGROUP.CO.ZA

CAPE TOWN

9 Karee Rd, Kraaifontein
Industria, Cape Town, 7570

SALES | (+27) 21 001 8686
ruan@mcmco.co.za

GEORGE

Jura Lands, Beach Road,
Hansmoeskraal, George, 6529

SALES | (+27) 44 878 2917
chris@mcmco.co.za

FREE STATE

Bloem Showgrounds, Curie Avenue,
Generaal De Wet, Bloemfontein, 9301

SALES | (+27) 84 022 7300
clarence@mcmco.co.za

GAUTENG

26 Sterling Rd, Unit 1,
Samrand Business Park, Midrand, 0117

SALES | (+27) 12 030 3451
sales@mcmco.co.za