

LGMA

LGMA LM939 FRONT END LOADER

Proudly Distributed By **MCM**



SCAN FOR MORE INFO



Instagram: @mcm.company



Facebook: MCM Group

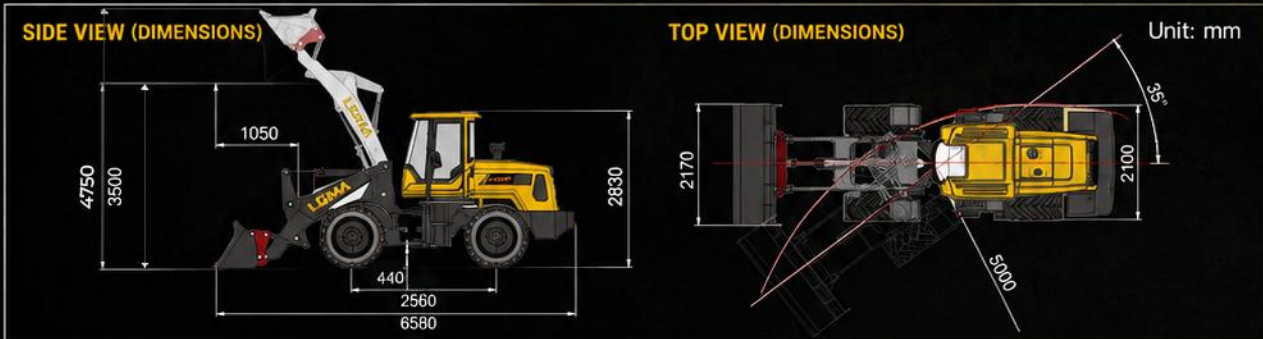


Website: www.MCMGROUP.co.za

TECHNICAL SPECIFICATIONS

LGMA LM939 FRONT END LOADER

Proudly Distributed By MCM



1 MAIN SPECIFICATIONS / TECHNICAL PARAMETERS

Rated load	2200kg
Operating weight	5850kg (Filling counterweight)
Bucket capacity	1.0m ³
Bucket width × bucket depth	2100mm × 550mm
Overall dimension (L × W × H)	6780mm × 2100mm × 2830mm
Wheel base	2560mm
Wheel track	1690mm
Max. dumping height	3500mm
Max. dumping distance	1050mm
Turning radius	5000mm
Min. ground clearance	440mm

2 TRANSMISSION SYSTEM

Type	280 Integral H/L Speed
Pattern	Automatic, Mechanical gear change
Pattern (Options)	Automatic, Electronically gear change
Radiator	Large hole double row
Auxiliary water tank	Standard
Prefilter	Single air filter

5 HYDRAULIC SYSTEM

Lifting time	4S
Falling time	3S
Total cycling time	10S
Working pump	2080 Left-hand Spline key
Walking pump	25 Left-hand Flat key
Steering gears	250A with valve block
Distributor	20.2, 80L/min
Priority valve	250
Pump and valve integrated	NO
Oil pipe	24° Tapered
Fuel tank	New style fuel tank

6 DRIVE AXLES

Axle	LG2.8T Large Wheel Hub Reduction Cast Steel Disc Brake Axle
Articulated	Triple layer

2 ENGINE

Standard engine Yunnei YN48GBZ (92KW)

3 BRAKE SYSTEM

Operating type	Mechanical single joystick
Control mode (Optional)	① Single hydraulic joystick ② Electrical hydraulic joystick
Brake booster pump	Two-way air brake

7 WHOLE CAR COVERING PARTS

Color	Customization
Stamped and stretched front hood	Yes
Stamped and stretched rear hood	Yes, Side flip type (T type)
Stamped and stretched counterweight	Yes
Quick-hitch	Optional
Seat	Luxury Seat
Dashboard	LCD Dashboard
Dashboard (Optional)	Adjustable LCD
Air conditioner (Optional)	① Cold A/C ② Heating and cooling A/C
Battery	24V, 80A
Reversing camera	Optional, Customizable start-up screen
Warning lights	Standard
Reverse horn	Standard
Timer	Standard
Radios	Standard
Tool box	Export-specific toolbox

8 TYRE

Tyre (Standard) 16 / 70 - 24

9 GRAIN BUCKET

Unloading height	Bucket width	Depth	Capacity
3800mm	2200mm	920mm	2.0m ³
4500mm	2200mm	920mm	2.0m ³
5000mm	2200mm	920mm	2.0m ³

www.MCMGROUP.co.za



CAPE TOWN

9 Karee Rd, Kraaifontein Industria,
Cape Town, 7570

SALES (+27) 21 001 8686

✉ ruan@mcmco.co.za



GEORGE

Jura Lands, Beach Road,
Hansmoeskraal, George, 6529

SALES (+27) 44 878 2917

✉ chris@mcmco.co.za



FREE STATE

Bloem Showgrounds, Curie Avenue,
Generaal De Wet, Bloemfontein, 9301

SALES (+27) 84 022 7300

✉ clarence@mcmco.co.za



GAUTENG

26 Sterling Rd, Unit 1,
Samrand Business Park, Midrand, 0117

SALES (+27) 12 030 3451

✉ sales@mcmco.co.za