

MCM

Together, The Future Is Built

MCM 27X TLB

SPEC SHEET

POWERFUL. VERSATILE. BUILT TO PERFORM.



@mcm.company



MCM Group



www.MCMgroup.co.za

MCM 27X TLB

TECHNICAL SPECIFICATIONS

POWERFUL. VERSATILE. BUILT TO PERFORM.



1 ENGINE

Machine	27X
Model	Yunnei YN25GB
Type	In-line water cooling 4 stroke
No. of Cylinders	4-Cylinder
Net Peak Power	37kW (49.62HP) @ 2400 rpm
Fuel Tank Capacity	50L
Vehicle Speeds	15km/h

2 HYDRAULIC SYSTEM

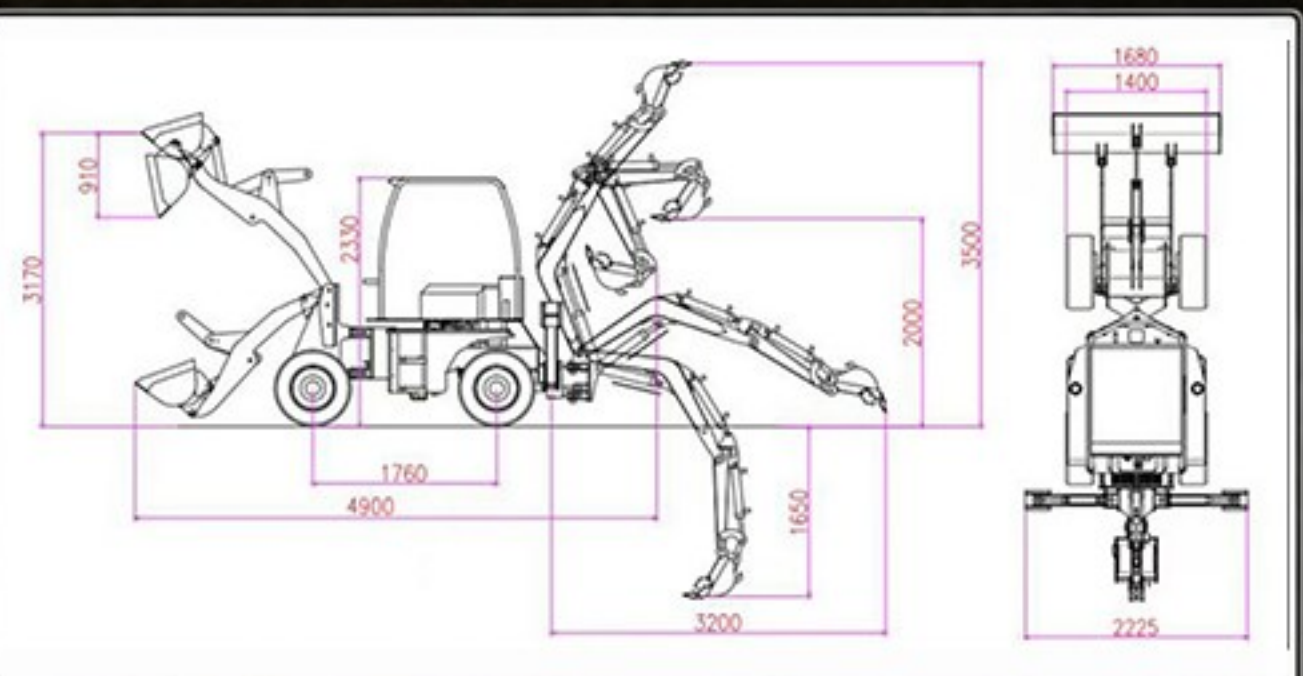
Circuit Type	Open Centre, gear type
Pump Capacity (@ 1,900rpm)	85.5 L/min
System Pressure	18MPa
Tank Capacity	80L
Steering Type	4WD
Steering Angle	46°

3 OPERATION DIMENSIONS

Total Travel Length	4950mm
Total Travel Height	2550mm
Total Travel Width	1410mm
Distance Between Shafts	1780mm
Distance Between Wheels	1130mm
Min. Ground Clearance	220mm
Min. Turning Radius	4500mm

4 OPERATION PARAMETERS

Operating Weight	2800kg
Backhoe Parameters	
Backhoe Bucket Capacity	0.04m ³
Max. Digging Depth	1600mm
Max. Dumping Height	2000mm
Max. Digging Radius	2900mm
Rotation Angle of Boom	180°
Loader Parameters	
Loader Bucket Capacity	0.45m ³
Rated Loading Weight	1000kg
Max. Lift Height	3200mm
Max. Dumping Height	2100mm
Dumping Distance	1180mm
Bucket Width	1680mm
Bucket Breakout Force	22kN



CAPE TOWN
9 Karee Rd, Kraaifontein Industria,
Cape Town, 7570

SALES
(+27) 21 001 8686
ruan@mcmco.co.za

GEORGE
Jura Lands, Beach Road,
Hansmoeskraal, George, 6529

SALES
(+27) 44 878 2917
chris@mcmco.co.za

FREE STATE
Bloem Showgrounds,
Curie Avenue, Generaal De Wet,
Bloemfontein, 9301

SALES
(+27) 84 022 7300
clarence@mcmco.co.za

GAUTENG
26 Sterling Rd, Unit 1,
Samrand Business Park,
Midrand, 0117

SALES
(+27) 12 030 3451
sales@mcmco.co.za