

# MCM

# TL300



## Technical Specifications

### Engine

Machine	TL300 TELEHANDLER
Model	Yunnei YN4BL105-30CR
Net Peak Power	74.5kW/100hp
Type	Direct Injection, Water Cooled
No. of Cylinders	Turbocharged, 4 Cylinder
Fuel Tank Capacity	22,5 Gal (88 Litres)

### Transmission System

Type	Torque Converter	
Gears Forward/Reverse	4 Forward/2 Reverse	
Travel Speed	km/h(mp/h)	28/17
Max. Torque	Nm	500
Transfer Case	4WD	
Brake Control	Air Over Hydraulic	

### Operation Dimensions

<b>A</b> Total Travel Length	mm/ft	3970/13
<b>B</b> Total Travel Height	mm/ft	2150/7
Total Travel Width	mm/ft	2090/7
Wheel Track	mm/ft	2400/8
Bucket Width	mm/ft	2200/7
Rear Tail Width	mm/ft	1700/5

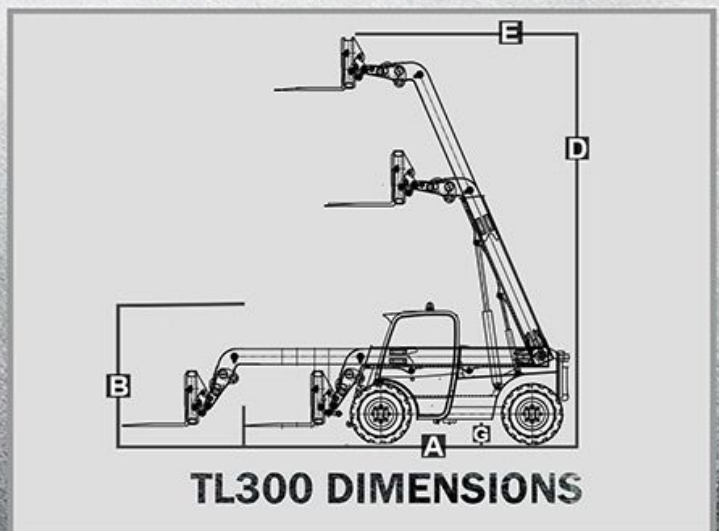
### Attachments

Augers	Breakers	Brush Cutters	Buckets	Earth Drills
Forks	Grapples	Rippers	Shears	And More

### Operation Parameters

Operating Weight	kg/lbs	5700/12540
Rated Load	kg/lbs	3000/6600
Bucket Capacity	cbm/cbft	1.8/63.5
<b>D</b> Max. Dumping Height	mm/ft	3980/13
<b>E</b> Max. Working Height	mm/ft	6000/19
Min. Dumping Distance	mm/ft	2610/8
Max. Dumping Angle	degrees	40
Max. Tractive Force	kN	38.2
Max. Breakout Force	kN	40.2
Hydraulic Flow Rate	L/min/Gal/min	82/22
System Pressure	MPa	20
Min. Turning Radius	mm/ft	4460/14.6
<b>G</b> Min. Ground Clearance	mm/ft	330/1

\*Under our policy of continuous improvement, we reserve the right to change technical data and design without prior notice.



## DYNAMIC PERFORMANCE