

# MCM

Together, The Future Is Built

# MCM 22D MINI EXCAVATOR

POWERFUL. PRECISE. COMPACT.

Engineered for performance.  
Built to last.



INSTAGRAM  
[@mcm.company](https://www.instagram.com/mcm.company)



FACEBOOK  
MCM Group



WEBSITE  
[www.MCMGROUP.co.za](http://www.MCMGROUP.co.za)



BUILT TO WORK

# MCM 22D MINI EXCAVATOR

## TECHNICAL SPECIFICATIONS



### ENGINE

Model	Laidong 3TE30 (EU Stage II Emissions)
Type	Direct Injection, Water Cooled, Natural Intake
No. of Cylinders	3-Cylinder Diesel Engine
Net Peak Power	22.1kW (29.6HP) @ 2200 rpm
Fuel Tank Capacity	26 L

### HYDRAULIC SYSTEM

Circuit Type	Axial Piston, Gear Pump
Pump Capacity	34 L/min
System Pressure	16 MPa
Tank Capacity	27 L
Traveling & Swing Motors	Eaton

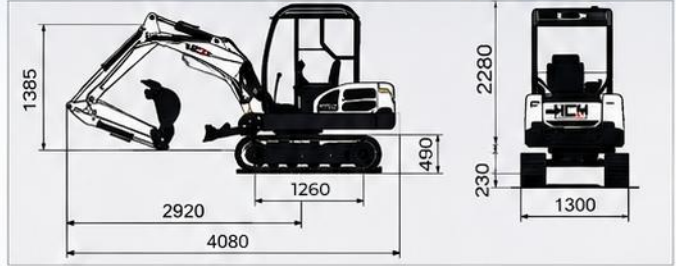
### OVERALL DIMENSIONS

Overall Length	4080 mm
Overall Width	1300 mm
Overall Height	2280 mm
Ground Clearance	490 mm
Track Length	1630 mm
Track Shoe Width	250 mm
Undercarriage Width	1270 mm
Dozer Blade	1270 x 240 mm

### OPERATION PARAMETERS

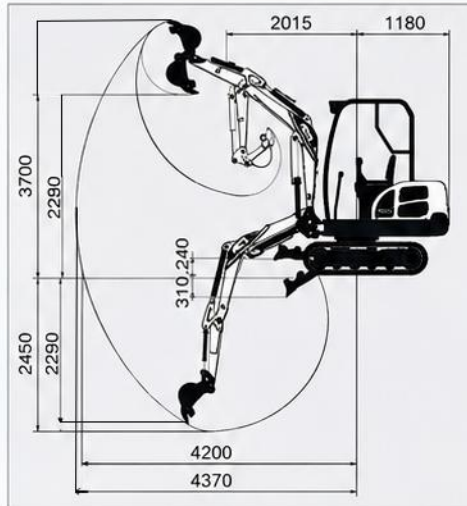
Operation Weight	2200 kg
Standard Bucket Capacity	0.1 m <sup>3</sup>
Max. Digging Radius	4370 mm
Max. Digging Depth	2450 mm
Max. Working Height	2290 mm
Max. Dumping Height	3700 mm
Max. Dozer Cutting Depth	310 mm
Max. Dozer Lifting Height	240 mm
Min. Tail Swing Radius	1180 mm

Under our policy of continuous improvement, we reserve the right to change technical data and design without prior notice.



### MAIN PERFORMANCE

Swing Speed	12-14	rpm
Traveling Speed	2.8	km/h
Grade Ability	30-35	degree
Ground Pressure	36	KPa
Traveling Tracking Force	15	kN
Bucket Digging Force	11.5	kN
Arm Digging Force	9.3	kN



### ATTACHMENTS

- Auger
- Ripper
- Bucket
- Breaker
- Grapple

CAPE TOWN	9 Karee Rd, Kraaifontein Industria, Cape Town, 7570	SALES (+27) 21 001 8686	ruan@mcmco.co.za
GEORGE	Jura Lands, Beach Road, Hansmoeskraal, George, 6529	SALES (+27) 44 878 2917	chris@mcmco.co.za
FREE STATE	Bloem Showgrounds, Curie Avenue, Generaal De Wet, Bloemfontein, 9301	SALES (+27) 84 022 7300	clarence@mcmco.co.za
GAUTENG	26 Sterling Rd, Unit 1, Samrand Business Park, Midrand, 0117	SALES (+27) 12 030 3451	sales@mcmco.co.za

