

MCM

Together, The Future Is Built

MCM 180

MINI EXCAVATOR

SPEC SHEET



POWERFUL PERFORMANCE
Reliable power for tough conditions



BUILT TO LAST
Durable components for long-term reliability



COMPACT DESIGN
Work in tight spaces with maximum efficiency



EASY TO OPERATE
Operator comfort meets simple, intuitive controls



@mcm.company



MCM Group



www.MCMGROUP.co.za

MCM

MCM 180

MINI EXCAVATOR

TECHNICAL SPECIFICATIONS



ENGINE

Model	Laidong 385B (EU Stage II Emissions)
Type	Direct Injection, Water Cooled
No. of Cylinders	3-Cylinder Diesel Engine
Net Peak Power	18.1kW / 24.2hp @ 2200 rpm
Fuel Tank Capacity	26 Litres

HYDRAULIC SYSTEM

Circuit Type	Open Centre, Gear Type
Pump Capacity	22+22+8 L/min
System Pressure	16 Mpa
Tank Capacity	27 L
Travelling & Swing Motors	Eaton

OVERALL DIMENSIONS

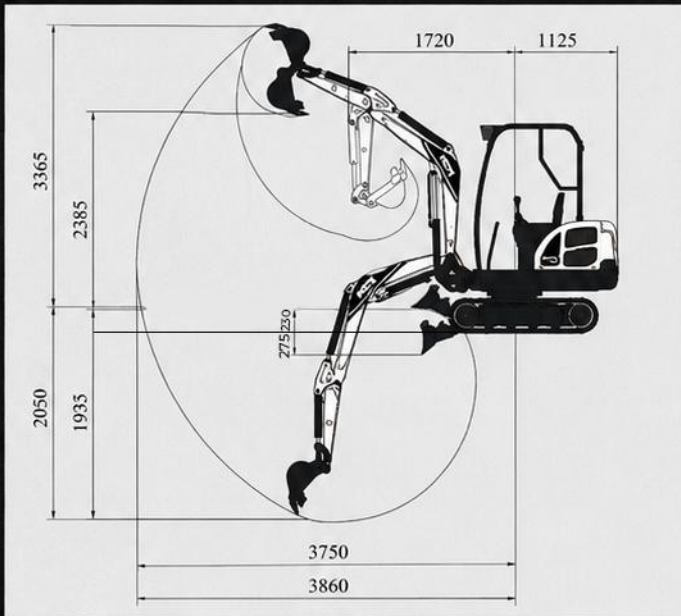
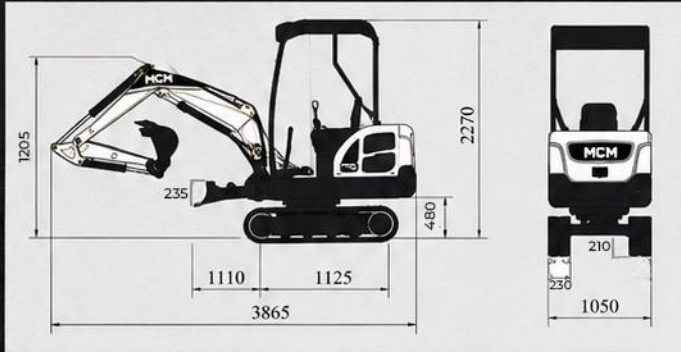
Overall Length	mm	3800
Overall Width	mm	1050
Overall Height	mm	2280
Ground clearance	mm	483
Track length	mm	1630
Track width	mm	230
Undercarriage width	mm	1050
Undercarriage ground clearance	mm	235
Dozer Blade	mm	1050 x 240

OPERATION PARAMETERS

Operation Weight	KG	1800
Bucket Capacity	m ³	0.06
Max. Digging Radius	mm	3860
Max. Digging Depth	mm	2050
Max. Digging Height	mm	3370
Max. Dumping Height	mm	2390
Max. Dozer Cutting	mm	270
Max. Dozer Lifting	mm	235
Boom Deflexion (Left/Right)	°	75/45
Tail Swing Radius	mm	1125
Front Min. Swing Radius	mm	1720

MAIN PERFORMANCE

Swing Speed	r/min	10-12
Traveling Speed	km/h	3.2
Grade ability	%	70 (35°)
Bucket Digging Force	kN	15
Arm Digging Force	kN	9.3



ATTACHMENTS



Auger



Ripper



Bucket



Breaker



Grapple



www.MCMGROUP.co.za

CAPE TOWN

9 Karee Rd, Kraaifontein
Industria, Cape Town, 7570

SALES (+27) 21 001 8686

ruan@mcmco.co.za

GEORGE

Jura Lands, Beach Road,
Hansmoeskraal, George, 6529

SALES (+27) 44 878 2917

chris@mcmco.co.za

FREE STATE

Bloem Showgrounds,
Curie Avenue, Generaal De Wet,
Bloemfontein, 9301

SALES (+27) 84 022 7300

clarence@mcmco.co.za

GAUTENG

26 Sterling Rd, Unit 1,
Samrand Business Park,
Midrand, 0117

SALES (+27) 12 030 3451

sales@mcmco.co.za