

HZM



HZM 45-12T TELESCOPIC BACKHOE LOADER

HZM

45-12T

**TELESCOPIC
BACKHOE
LOADER**



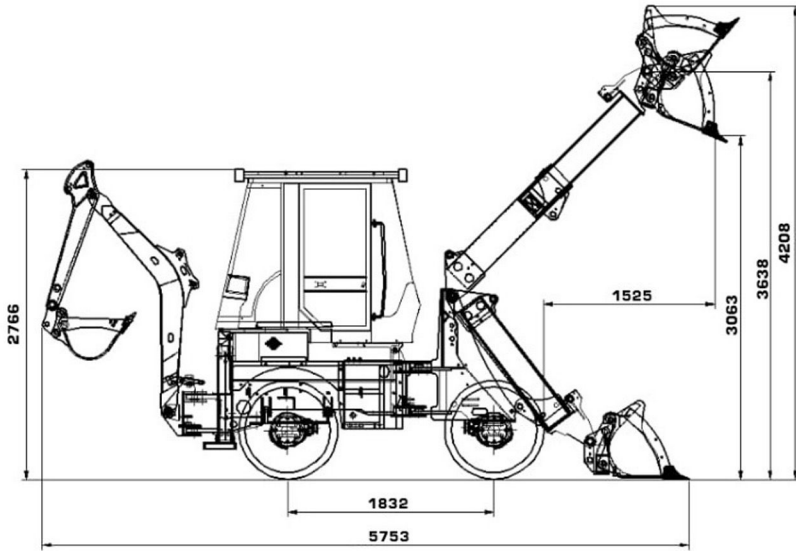


SPECIFICATIONS

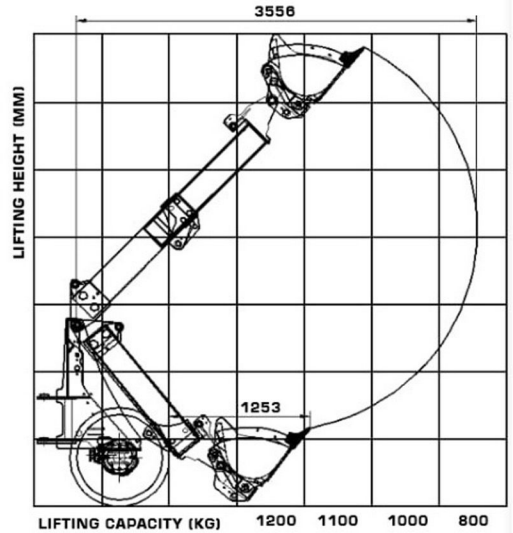
| | | | |
|---------------------------------|---------------------|---------------------------------|------------------------|
| Whole Operation Weight | 3500KG | Final Reducer | Secondary Level |
| Transport Dimension | | Rated Loader of Axle | 5000KG |
| L*W*H | 5753*1680*2746 | Transmission System | SHAFT TRANMISSION |
| Wheel base | 1832 | Torque Converter | HYDRAULIC |
| Min. Ground Clearance | 280 | Model | 265 |
| Bucket Capacity | 0.6m3 | Type | HYDRAULIC |
| Breakout Force | | Max. Efficiency | |
| Loading Lifting Capacity | 1200kg | Inlet Pressure | 0.5MPA |
| Bucket Dumping Height | 3638 | Outlet Pressure | 18MPA |
| Bucket Dumping Distance | 1525 | Cooling Method | WATER COOLING |
| Digging Depth | 2630 | Gearbox | Hydraulic transmission |
| Backhoe Capacity | 0.2m3 | Type | HYDRAULIC |
| Max. Digging Depth | 2630 | Oil Pressure of Clutch | 15KG |
| Swing Angle of Excavator Grab | 170 | Gears | F2 R2 |
| Max. Pulling Force | 2T | Max.Speed | 18km/h |
| Engine | | Tyre | 20.5/70-16 |
| Model | XINCHAI490 | Model | |
| Type | WATER COOLING | Pressure of Front wheel | 4.0KG |
| Cylinder-Inside Diameter*Stroke | 4DCYLINDERS -90-100 | Pressure of Back Wheel | 4.0KG |
| Rated Power | 40kw | Brake System | MECHANICAL |
| Rated Speed | 2650 | Service Brake | AIR BRAKE |
| Min. Fuel Consumption | 1.2L/h | Emergency Brake | MECHANICAL |
| Steering System | HYDRAULIC STEERING | | |
| Model of Steering Device | 250 | | |
| Steering Angle | 28° | Hydraulic System | HIGH PRESSURE PUMP |
| Min. turning radius | 3000mm | Digging Power of Excavator Grab | 15kn |
| Pressure of the system | 18mpa | Digging Power of Dipper | 12kn |



SPECIFICATIONS



DIMENSION CHART



LOADING CHART

