

EVERUN ERT1500 MATERIAL HANDLER



PROUDLY
DISTRIBUTED BY **MCM**



www.MCMGROUP.co.za



[mcm.company](https://www.instagram.com/mcm.company)



MCM GROUP

EVERUN ERT1500 TELEHANDLER



POWERFUL
Perkins Engine



STRONG LIFT
1350kg Rated Load



MAX HEIGHT
4.0m Lift Height

ENGINE DETAILS

Model	Perkins 403D-15
Rated Power	20.9/24.6 kW
Rated Speed	2200/2800 (r/min)
Oil Flow	22L/min
Fuel Consumption Ratio	230g/Kw·h
Engine Type	Four stroke

STANDARD BUCKET

Bucket Capacity	0.3m ³
Bucket Width	1588mm
Bucket Type	Heavy-duty Bolt on Teeth
Rated Load	1350kg

BRAKE SYSTEM

Service Brake	Mechanical, drum brake
Parking Brake	Manual disk brake
Braking Type	Air Operated
Axle	Wheel Axle Reducer

OTHER

Max. Gradeability	23°
Transmission System	hydrostatic transmission
Steering Angle	37°
Min. Turning Radius	3480mm
Max. Lifting Height	4010mm
Operating Weight	2800kg
System Pressure	24Mpa
Max. Tractive Force	10KN
Max. Dumping Height	3660mm

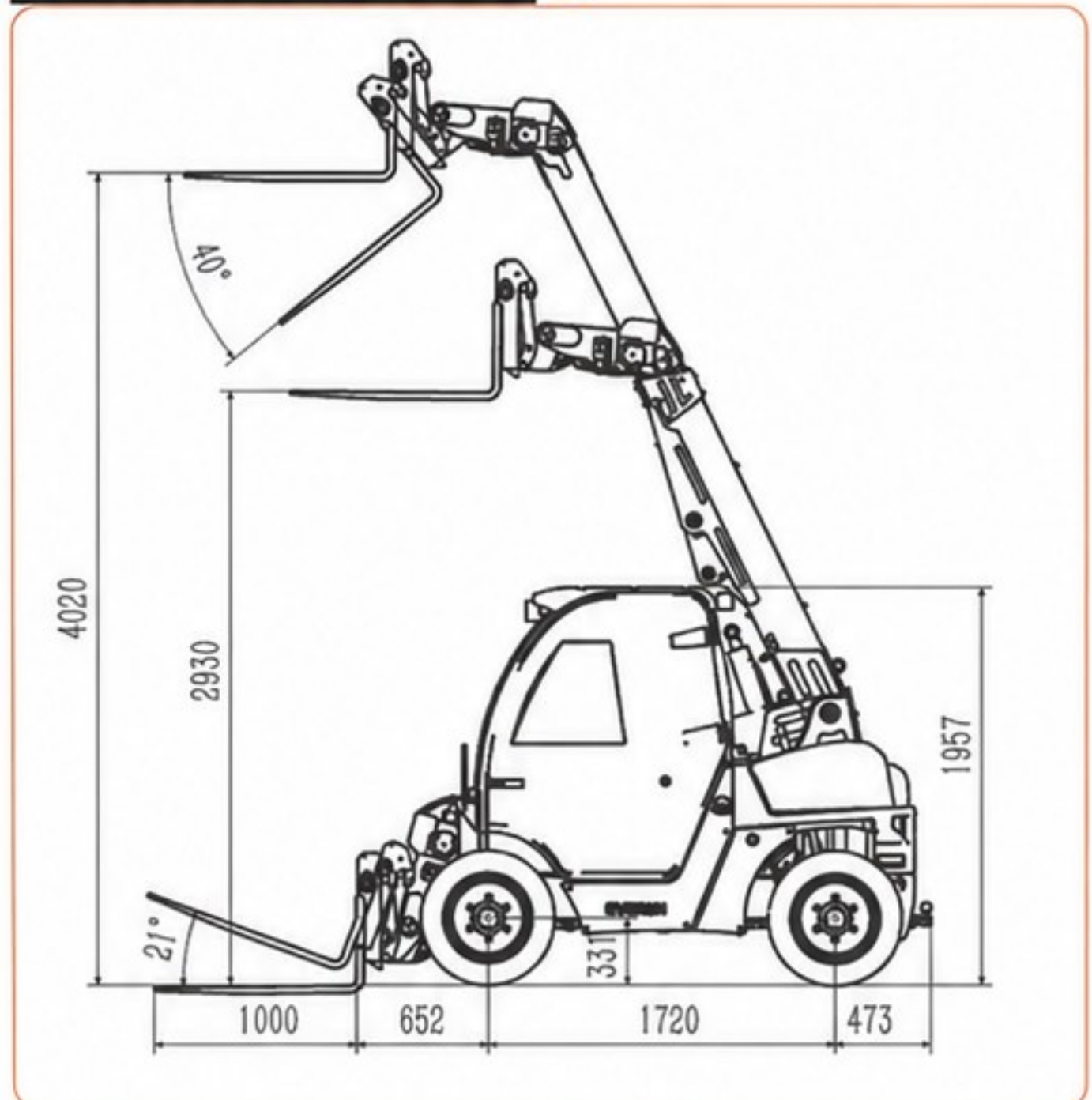
TYRE

Model	26*12-16.5
Max Inflated Pressure	60 PSI
Diameter	831mm

OVERALL DIMENSIONS

Overall Length (Bucket on Ground)	3350mm
Overall Height	1955mm
Overall Width	1588mm

DIMENSION DRAWING



MCM



Website : www.MCMGROUP.co.za

CAPE TOWN

9 Karee Rd, Kraaifontein Industria,
Cape Town, 7570

SALES (+27) 21 001 8686
ruan@mcmco.co.za

GEORGE

Jura Lands, Beach Road,
Hansmoeskraal, George, 6529

SALES (+27) 44 878 2917
chris@mcmco.co.za

FREE STATE

Bloem Showgrounds,
Curie Avenue, Generaal De Wet,
Bloemfontein, 9301

SALES (+27) 84 022 7300
clarence@mcmco.co.za

GAUTENG

26 Sterling Rd, Unit 1,
Samrand Business Park,
Midrand, 0117

SALES (+27) 12 030 3451
sales@mcmco.co.za